

8 **Stainless steel**

V2A
EN 1.4301
AISI 304

V4A
EN 1.44.04
AISI 3162

► CABLE TRAYS

I4KBSI60	Cable tray with interlocking ends	556
I6KBSI60	Cable tray with interlocking ends	557
I4KG60	Cable tray not perforated	558
I6KG60	Cable tray not perforated	559
I4D	Universal cover	560
I6D	Universal cover	560

► CABLE TRAY ACCESSORIES

I6B90	Horizontal bend 90°	560
I6DB90	Cover for horizontal bend 90°	561
I6AS	Horizontal adapter 90°	561
I6DAS	Cover for horizontal adapter 90°	561
I4KPM	Multifunctional joiner	562
I6KPM	Multifunctional joiner	562
I6DS60	Hinged joiner	562
I6SLOS	Bolt-in partition	563
I6V60.200	Joiner	563
KBV	Fast locking for KBSI	563
DCL	Cover clamp clips	564

► WIRE CABLE TRAYS

I6VF	Wire cable tray for heavy duty	564
I6D	Universal cover	565
DCLVF	Cover clamp clips	565

► CABLE TRAYS ACCESSOIRES

I6KPVF	Joiner for wire cable tray	565
I6VFK	Joining clamp	566
I6VFKK25	Joining clamp	566
I6VFKG30	Joining clamp	566
I6VFKS	Support joiner for wire cable tray	567
I6VFCB	Central suspension bracket	567
I6VFM	Wall bracket	567
I6VFO	Suspension piece	568
I6VFMM	Wall and mounting bracket	568
I6VMB	Floor and wall bracket	568

► KLL CABLE LADDERS

I4KLLI60	Cable ladder interlocking ends	569
I6KLLI60	Cable ladder interlocking ends	570
I4KLL110	Cable ladder	571
I6KLL110	Cable ladder	572

► KLL ACCESSORIES

I4D	Universal cover	573
I6D	Universal cover	573
I4KLLDK	Cover clamp for I4KLL	573
I6KLLDK	Cover clamp for I6KLL	574
I6KLLABD	Distance bracket for cover I6KLL	574
I6KLLB	Horizontal bend for I6KLL	575
I6KLLT	T-piece for I6KLL	575
I6KLLX	Cross-over for I6KLL	576
I6KLLVB	External riser for I6KLL	576
I6KLLSB	Internal riser for I6KLL	577
I6KLLVSB	Flexible (rising / low) bend for I6KLL	577
I6KLLAH	Horizontal branch hook for I6KLL	578
I6KLLAHV	Vertical branch hook for I6KLL	578
I6KLLDSH	Horizontal hinged joiner for I6KLL	578
I6KLLDSV	Vertical hinged joiner for I6KLL	579
I6KLLVS	Reducing plate for I6KLL	579
I6KLLVST	Floor support for I6KLL	579
I6KLLKP	Joiner for I6KLL	580
I6KLLBK	Bracket clamp for I6KLL	581
DOPKLL	End cap for KLL	581
I6SLOS	Bolt-in partition	581

► KLM CABLE LADDERS

I6KLM	Cable ladder height 125	582
-------	-------------------------	-----

► KLM ACCESSORIES

I6DIG	Cover industrial	583
-------	------------------	-----

I6DKIG	Cover clamp	583
I6KLMZWABD	Distance bracket cover I6KLM/I6KLZ/I6KLW	583
I6KLMB	Horizontal bend for I6KLM	584
I6KLMT	T-piece for I6KLM	584
I6KLMX	Cross-over for I6KLM	585
I6KLMVB	External riser for I6KLM	585
I6KLMSB	Internal riser for I6KLM	586
I6KLMVSB	Flexible (rising / low) bend for I6KLM	586
I6KLMAH	Horizontal branch hook for I6KLM	586
I6KLMAHV	Vertical branch hook for I6KLM	587
I6KLMDSH	Horizontal hinged joiner for I6KLM	587
I6KLMDSV	Vertical hinged joiner for I6KLM	587
I6KLMVST	Floor support for I6KLM	588
I6KLMVS	Reducing plate for I6KLM	588
I6KLMZWAB	Distance bracket for I6KLM/I6KLZ/I6KLW	588
I6KLMKP	Joiner for I6KLM	589
I6KLMZWBK	Bracket clamp for I6KLM/I6KLZ/I6KLW	589
DOPKLM	End cap for KLM	590
I6SLOS	Bolt-in partition	590
▼ KLZ CABLE LADDERS		
I6KLZ	Cable ladder height 150	591
▼ KLZ ACCESSORIES		
I6DIG	Cover	592
I6DKIG	Cover clamp	592
I6KLMZWABD	Distance bracket cover I6KLM/I6KLZ/I6KLW	592
I6KLZB	Horizontal bend for I6KLZ	593
I6KLZT	T-piece for I6KLZ	593
I6KLZX	Cross-over for I6KLZ	594
I6KLZVB	External riser for I6KLZ	594
I6KLZSB	Internal riser for I6KLZ	595
I6KLZVSB	Flexible (rising / low) bend for I6KLZ	595
I6KLZAH	Horizontal branch hook for I6KLZ	596
I6KLZAHV	Vertical branch hook for I6KLZ	596
I6KLZDSH	Horizontal hinged joiner for I6KLZ	597
I6KLZDSV	Vertical hinged joiner for I6KLZ	597
I6KLZVST	Floor support for I6KLZ	598
I6KLZVS	Reducing plate for I6KLZ	598
I6KLMZWAB	Distance bracket for I6KLM/I6KLZ/I6KLW	598
I6KLZKP	Joiner for I6KLZ	599
I6KLMZWBK	Bracket clamp for I6KLM/I6KLZ/I6KLW	599
DOPKLZ	End cap for KLZ	599
I6SLOS	Bolt-in partition	600
▼ KSF CABLE LADDERS		
I6KSF	Cable Ladder Food and Pharma	600
▼ KSF ACCESSORIES		
I6KSFB	Horizontal bend for I6KSF	601
I6KSFKP	Joiner for I6KSF	601
I6KSFKK	Bracket clamp for I6KSF	601
DOPKS	End cap for HDKS	602
▼ FITTINGS		
I6P1019	Fitting Square 40x40 D9	602
I6P1020	Fitting Square 40x40 D13	602
I6P1026	Fitting 90° angle L 2D14	603
I6P1031	Fitting flat T 4D14	603
I6P1033	Fitting 90° angle T 3D14	603
I6P1036	Fitting flat L 3D14	604
I6P1037	Fitting 90° angle Lb 3D14	604
I6P1043	OM41 Fitting double profile 6D14	604
I6P1044	C96 Fitting 4D14	605
I6P1045	Z41 Fitting single profile 3D14	605
I6P1047	OM41 Fitting single profile 5D14	605
I6P1063	Square washer 32x32	606
I6P1065	Fitting flat 2D14	606
I6P1066	Fitting flat 3D14	606
I6P1067	Fitting flat 4D14	607

I6P1068	Fitting 90° angle L 2D14	607
I6P1074	Fitting angle 45° 4D14	607
I6P1186	Fitting angle 135° 2D14	608
I6P1271	I-beam clamp C63	608
I6P1272	I-beam clamp C25	608
I6P1278	Fitting 90° angle L 4D14	609
I6P1325	Fitting 90° angle L 4D14	609
I6P1326	Fitting 90° angle L 2D14	609
I6P1346	Fitting 90° angle L 3D14	610
I6P1347	Z47 Fitting single profile 2D14	610
I6P1358	Fitting flat TR 4D14	610
I6P1359	Fitting 90° angle LTR 4D14	611
I6P1377	U184 Fitting 4D14	611
I6P1386	I-beam clamp notch M12	611
I6P1453	Z83 Fitting double profile 3D14	612
I6P1458	Fitting 90° angle L 3D14	612
I6P1546	Fitting angle 45° 2D14	612
I6P1727	Fitting 90° angle LTR 4D14	613
I6P1737	OM83 Fitting double profile 3D14	613
I6P1796	I-beam clamp S41	613
I6P1796-A	I-beam clamp S21	614
I6P1796-B	I-beam clamp S83	614
I6P1941	Fitting flat 5D14	614
I6P1983	Z50 Clamp	615
I6P2072A	Base plate 152 single profile 10D14	615
I6P2072-S1	Assembly accessory	615
I6P2072-S2	Assembly accessory	616
I6P2073	Base plate 193 double profile 6D14	616
I6P2073A	Base plate 152 double profile 12D14	616
I6P2095	Fitting angle 75° 2D14	617
I6P2097	Fitting angle 60° 2D14	617
I6P2106	Fitting angle 105° 2D14	617
I6P2108	Fitting angle 120° 2D14	618
I6P2223	Wing fitting 2L 4D14	618
I6P2341R	Wing fitting LR 2D14	618
I6P2341L	Wing fitting LL 2D14	619
I6P2346	Wing fitting U 8D14	619
I6P2348S1	Assembly accessory	619
I6P2348S2	Assembly accessory	620
I6P2484	Fitting 90° angle TR 7D14	620
I6P2785	Beam Fitting H21-41	620
I6P2786	Beam Fitting H62-83	621
I6P3087	Beam clamp internal	621
I6P4045	Z21 Fitting single profile 2D14	621
I6P4047	OM21 Fitting 3D14	622
I6PNL	Sliding nut for supporting profile	622
I6PNS	Sliding nut for supporting profile	622
I6PNP06- I6PNP12A	Sliding nut for supporting profile	623
I6P1580	Fitting flat X 4D14	623
▶ CHANNELS		
I4P1000T	Assembly profile	623
I6P1000	Assembly profile	624
I6P1000T	Assembly profile	624
I6P1001TX6	Assembly profile	624
I6P3300	Assembly profile	625
I4P3300T10	Assembly profile	625
I6P3300T10	Assembly profile	625
I6P3301T10	Assembly profile	626
▶ MOUNTING SYSTEMS		
I6PB	Ceiling bracket	626
I4VOMEGA	Joining piece	626
I6VOMEGA	Joining piece	627
I4COMEGA290	Open suspension bracket	627
I6COMEGA290	Open suspension bracket	628
I4LOMEGA150	Bracket / Ceiling profile	628

I6LOMEGA150	Bracket / Ceiling profile	629
I4WK	Welded bracket	629
I6WK	Welded bracket	630
I6WKM	Heavy welded bracket	630
I6WSU	Universal support bracket	631
I6HSLES	Single ceiling profile	631
I6HSMU50	Ceiling profile medium heavy	632
I6TIM	Threaded rod (DIN 975)	632
I6VM	Toothed round head bolt / flange nut	632
I6PNP	Sliding nut for supporting profile	633
I6GM	Sliding nut for supporting profile	633
I6SN	Sliding nut for supporting profile	633
I6RBK	Round head square neck bolt (DIN 603)	634
I6RB	Toothed round head bolt	634
I6RM	Flange nut (DIN 6923)	634
I6B	Bolt (DIN 933)	635
I6M	Nut (DIN 934)	635
I6CRO	Flat giant washer (DIN 9021)	635
I6RO	Giant washer (DIN 125-1 A)	636
I6PSB	Perforated Steel Band	636
I6M1108-I6M1155	Pipe Clamp	637
SS2	SS2 Pipe Clamp	638
STANDARD-R-SS	Std 2SC Clip Ins 59mm	638
I4PS	Pipe Saddle 300mm	638
I4SDBGD	Trapeze hanger	639
I4RO12MP41	Giant washer (DIN 125-1 A)	639
▶ PIPE CLAMPS		
I4PNK	Ecrou coulissant avec support PVC	639
I4SDBGM	Trapeze hanger	640
I4BPLM	Base plate for threaded rod	640
I6BUKDU.R	Pipe clamp DUO	641
I4VS41	Assembly accessory	641
	TECHNICAL INFORMATION	643

STAINLESS STEEL

Stainless steel is used in locations where high resistance to corrosion is a primary requisite as well as on occasion in extreme circumstances (such as high temperature and/or pressure).

Stainless steel consists of an iron alloy which contains a minimum of 10.5% chromium and maximum 1.2% carbon. The quantity of chromium prevents the formation of corrosion in a polluted atmosphere. The high corrosion resistance is the result of the formation of a thin oxide film on the surface, which prevents the steel beneath from being damaged. If this oxide film is damaged as a result of mechanical or chemical treatment and the circumstances are such that it is not repaired, then local corrosion may occur, while the remainder of the surface remains unaffected. For example, in an acid, reducing solution it is usually not possible for the metal to form a protective oxide film.

Currently there are some 200 different kinds of steel that may be described as "stainless" steel. Every year modified or new alloys appear. Some alloys now contain almost 30% chromium. In addition, a large number of other elements are added to obtain specific properties, depending on the manufacturing process. Among the added elements are nickel, carbon, titanium, aluminium, copper, sulphur and selenium.

One of the best known standards is that drawn up by the American Iron and Steel Institute (AISI), under which a specific quality of stainless steel is indicated by three figures. Another well-known method is the European standard whereby the stainless steel is characterised using a material number. In practice, the question of the extent to which a specific type of stainless steel defined in terms of the AISI standard corresponds to a material number often arises.

APPLICATIONS

- Automotive industry;
- Tunnel construction;
- Construction industry;
- Chemical industry;
- Electronic equipment;
- Petroleum industry / petrochemical industry;
- Food industry;
- Aviation;
- Mechanical engineering;
- Medical and pharmaceutical industry;
- Decorative purposes and kitchen equipment.

VERGOKAN OFFERS 2 DIFFERENT GRADES OF STAINLESS STEEL:

1. AISI - STAINLESS STEEL 304 (EN 1.4301 - V2A)

Chromium: 17.5% - 19.5% / Nickel: 8%-10.5%

The general characteristics are as follows:

- Austenitic;
- Good impact resistance at very low temperatures;
- Excellent resistance to corrosion in many oxidizing environments.

2. AISI - STAINLESS STEEL 316 L (EN 1.4404 - V4A)

Chromium: 16.5%-18.5 / Nickel: 10.5%-13% / Molybdenum: 2%-2.5%

The general characteristics are as follows:

- Austenitic and heat-resistant steel;
- Very good creep strength at high temperatures (up to 760°C);
- The molybdenum gives stainless steel 316 better overall corrosion resistant properties when compared to most other chromium-nickel types of steel in several corrosive environments, including the maritime climate;
- In atmospheric conditions stainless steel 316 has excellent resistance to corrosion even in the presence of acids, such as nitric acid. The material has excellent resistance to alkaline solutions as well as organic and inorganic salts. In general this material is highly resistant to corrosion in atmospheric conditions including marine environments.

I4KBSI60

Cable tray with interlocking ends



Interlocking ends
Alternative perforations
Return flanges

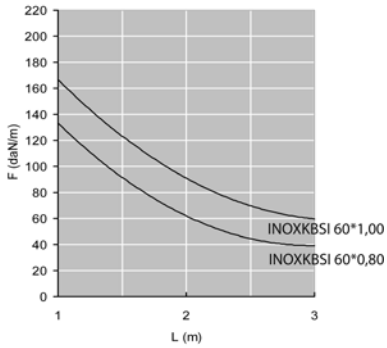
Standard finish	Stainless Steel 304
-----------------	---------------------

HD	Reference	↑ mm	↔ mm	↔ mm	↔ mm	kg/m	📦	Stock	Unit
-	I4KBSI60.100.080	60	100	0.80	3000	1.300	30	X	m
-	I4KBSI60.200.080	60	200	0.80	3000	1.900	30	X	m
-	I4KBSI60.300.080	60	300	0.80	3000	2.400	30	X	m
-	I4KBSI60.400.100	60	400	1.00	3000	3.700	3		m

Fix with:									
-	KBV	-	-	-	-	0.001	100	X	piece
-	I6VM6.10	-	-	M6	10	0.008	100	X	piece

LOAD DIAGRAM

Graph valid for I4KBSI60. This diagram illustrates the permissible uniformly distributed loads applied to multiple supports. They comply with IEC 61537 par 10.3.3. test type III with connection to 1/5 of the span.



F = max. admissible load (daN/m)

L = support distance (m)

Max. deflection (m) = L/100

Pickled and passivated.

I6KBSI60

Cable tray with interlocking ends



Interlocking ends
Alternative perforations
Return flanges

Standard finish

Stainless Steel 316

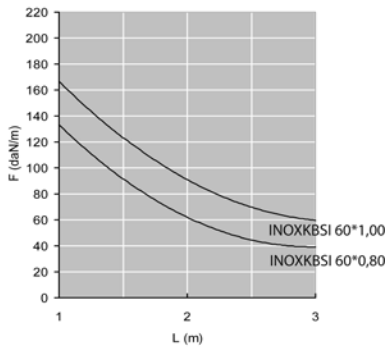
HD	Reference	↓ mm	↔ mm	↔ mm	↔ mm	kg/m	⊠	Stock	Unit
-	I6KBSI60.100.080	60	100	0.80	3000	1.300	30	X	m
-	I6KBSI60.200.080	60	200	0.80	3000	1.900	30	X	m
-	I6KBSI60.300.080	60	300	0.80	3000	2.400	30	X	m
-	I6KBSI60.400.100	60	400	1.00	3000	3.700	30	X	m
-	I6KBSI60.500.100	60	500	1.00	3000	4.500	3	X	m

Fix with:

-	KBV	-	-	-	-	0.001	100	X	piece
-	I6VM6.10	-	-	M6	10	0.008	100	X	piece

LOAD DIAGRAM

Graph valid for I6KBSI60. This diagram illustrates the permissible uniformly distributed loads applied to multiple supports. They comply with IEC 61537 par 10.3.3. test type III with connection to 1/5 of the span.



F = max. admissible load (daN/m)

L = support distance (m)

Max. deflection (m) = L/100

Pickled and passivated.

I4KG60

Cable tray not perforated



Smooth surface
Return flanges

Standard finish

Stainless Steel 304

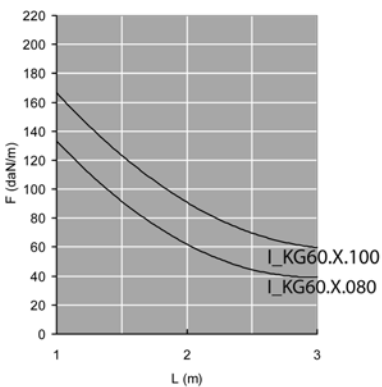
HD	Reference	↓ mm	↔ mm	↔ mm	↔ mm	kg/m	⊞	Stock	Unit
-	I4KG60.100.080	60	100	0.80	3000	1.500	30		m
-	I4KG60.200.080	60	200	0.80	3000	2.170	30		m
-	I4KG60.300.080	60	300	0.80	3000	2.770	30		m
-	I4KG60.400.100	60	400	1.00	3000	4.460	30		m

Fix with:

-	I6VM6.10	-	-	M6	-	0.008	100	X	piece
-	I6V60.200	50	200	-	-	0.080	48	X	piece

LOAD DIAGRAM

Graph valid for I4KG60. This diagram illustrates the permissible uniformly distributed loads applied to multiple supports. They comply with IEC 61537 par 10.3.3 test type III with connection to 1/5 of the span.



F = max. admissible load (daN/m)

L = support distance (m)

Max. deflection (m) = L/100

Manufactured with protective film.

I6KG60

Cable tray not perforated



Smooth surface
Return flanges

Standard finish

Stainless Steel 316

HD	Reference	↓ mm	↔ mm	↔ mm	↔ mm	kg/m	⊞	Stock	Unit
-	I6KG60.100.080	60	100	0.80	3000	1.500	30		m
-	I6KG60.200.080	60	200	0.80	3000	2.170	30		m
-	I6KG60.300.080	60	300	0.80	3000	2.770	30		m
-	I6KG60.400.100	60	400	1.00	3000	4.460	30		m

Fix with:

-	I6VM6.10	-	-	M6	-	0.008	100	X	piece
-	I6V60.200	50	200	-	-	0.080	48	X	piece

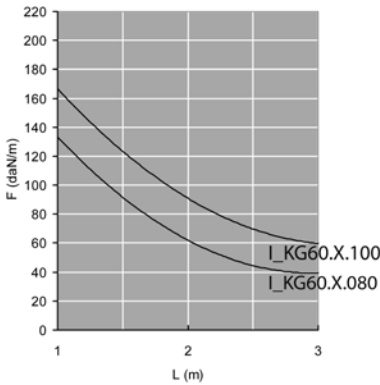
LOAD DIAGRAM

Graph valid for I6KG60. This diagram illustrates the permissible uniformly distributed loads applied to multiple supports. They comply with IEC 61537 par 10.3.3 test type III with connection to 1/5 of the span.

F = max. admissible load (daN/m)

L = support distance (m)

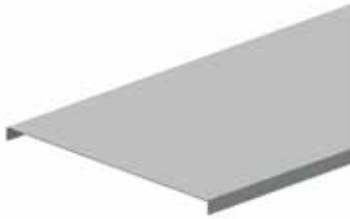
Max. deflection (m) = L/100



Manufactured with protective film.

I4D

Universal cover



Cover with board height of 10 mm.

Standard finish

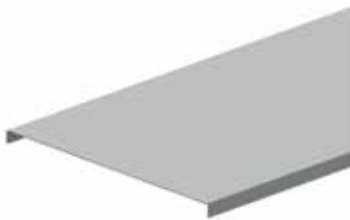
Stainless Steel 304

HD	Reference	↑ mm	↔ mm	↔ mm	↔ mm	kg/m	📦	Stock	Unit
-	I4D100	10	102		3000	0.820	3		m
-	I4D200	10	202		3000	1.420	3		m
-	I4D300	10	302		3000	2.100	3		m
-	I4D400	10	402		3000	4.150	3		m

Covers with width > 400 mm are delivered with diagonal reinforcements.
Manufactured with protective film.

I6D

Universal cover



Cover with board height of 10 mm.

Standard finish

Stainless Steel 316

HD	Reference	↑ mm	↔ mm	↔ mm	↔ mm	kg/m	📦	Stock	Unit
-	I6D100	10	102		3000	0.820	3		m
-	I6D200	10	202		3000	1.420	3		m
-	I6D300	10	302		3000	2.100	3		m
-	I6D400	10	402		3000	4.150	3		m

Fix with:

-	DCL	-	-	-	-	0.005	100	X	piece
---	------------	---	---	---	---	-------	-----	---	-------

Covers with width > 400 mm are delivered with diagonal reinforcements.
Manufactured with protective film.

I6B90

Horizontal bend 90°



Slides over the cable trays

Radius

100 mm

Standard finish

Stainless Steel 316

W	75	100	150	200	300	400	500	600
A	280	305	355	405	505	605	705	805
B	280	305	355	405	505	605	705	805

HD	Reference	↑ mm	↔ mm	↔ mm	↔ mm	kg/ piece	📦	Stock	Unit
-	I6B90.60.100	60	100		-	0.880	1		piece
-	I6B90.60.200	60	200		-	1.450	1		piece
-	I6B90.60.300	60	300		-	2.130	1		piece
-	I6B90.60.400	60	400		-	2.940	1		piece

Fix with:

-	I6VM6.10	-	-	M6	10	0.008	100	X	piece
---	-----------------	---	---	----	----	-------	-----	---	-------

Pickled and passivated.

I6DB90

Cover for horizontal bend 90°



Radius	100 mm
Standard finish	Stainless Steel 316

	75	100	150	200	300	400	500	600
B	281	306	356	406	506	606	706	806

HD	Reference	↓ mm	↔ mm	↔ ← mm	↔ mm	kg/ piece	📦	Stock	Unit
-	I6DB90.100	10	106		-	0.400	1		piece
-	I6DB90.200	10	206		-	0.850	1		piece
-	I6DB90.300	10	306		-	1.420	1		piece
-	I6DB90.400	10	406		-	2.130	1		piece

Fix with:									
-	DCL	-	-	-	-	0.005	100	X	piece

Manufactured with protective film.

I6AS

Horizontal adapter 90°



Slides over the cable trays									
Radius	100 mm								
Standard finish	Stainless Steel 316								

	75	100	150	200	300	400	500	600
A	483	508	558	608	708	808	908	1008

HD	Reference	↓ mm	↔ mm	↔ ← mm	↔ mm	kg/ piece	📦	Stock	Unit
-	I6AS60.100	60	100		-	0.570	1		piece
-	I6AS60.200	60	200		-	0.710	1		piece
-	I6AS60.300	60	300		-	0.840	1		piece
-	I6AS60.400	60	400		-	0.980	1		piece

Fix with:									
-	I6VM6.10	-	-	M6	10	0.008	100	X	piece

Pickled and passivated.

I6DAS

Cover for horizontal adapter 90°



Radius	100 mm
Standard finish	Stainless Steel 316

HD	Reference	↓ mm	↔ mm	↔ ← mm	↔ mm	kg/ piece	📦	Stock	Unit
-	I6DAS100	10	106		-	0.240	1		piece
-	I6DAS200	10	206		-	0.390	1		piece
-	I6DAS300	10	306		-	0.520	1		piece
-	I6DAS400	10	406		-	0.650	1		piece

Fix with:									
-	DCL	-	-	-	-	0.005	100	X	piece

Manufactured with protective film.

I4KPM

Multifunctional joiner



Standard finish

Stainless Steel 304

HD	Reference	↓ mm	↔ mm	→ ← mm	↔ mm	kg/ piece	📦	Stock	Unit
-	I4KPM60	63			450	0.174	10	X	piece
Fix with:									
-	I6VM6.10	-	-	M6	10	0.008	100	X	piece

Manufactured with protective film.

I6KPM

Multifunctional joiner



Standard finish

Stainless Steel 316

HD	Reference	↓ mm	↔ mm	→ ← mm	↔ mm	kg/ piece	📦	Stock	Unit
-	I6KPM60	63			450	0.174	10	X	piece
Fix with:									
-	I6VM6.10	-	-	M6	10	0.008	100	X	piece

Manufactured with protective film.

I6DS60

Hinged joiner



Standard finish

Stainless Steel 316

HD	Reference	↓ mm	↔ mm	→ ← mm	↔ mm	kg/ piece	📦	Stock	Unit
-	I6DS60	60			-	0.130	50		piece
Fix with:									
-	I6VM6.10	-	-	M6	10	0.008	100	X	piece

Pickled and passivated.

I6SLOS

Bolt-in partition



Standard finish

Stainless Steel 316

HD	Reference	↓ mm	↔ mm	→ ← mm	↔ mm	kg/m	📦	Stock	Unit
-	I6SLOS35	35			3000	0.330	3		m
-	I6SLOS60	60			3000	0.510	3		m
-	I6SLOS85	85			3000	0.680	3		m
-	I6SLOS110	110			3000	0.820	3		m

Fix with:

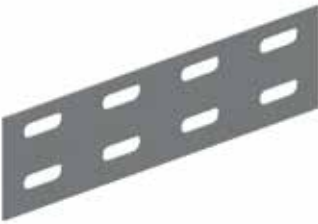
-	I6VM6.10	-	-	M6	10	0.008	100	X	piece
---	-----------------	---	---	----	----	-------	-----	---	-------

Fixing set: 1 per meter.

Manufactured with protective film.

I6V60.200

Joiner



Standard finish

Stainless Steel 316

HD	Reference	↓ mm	↔ mm	→ ← mm	↔ mm	kg/ piece	📦	Stock	Unit
-	I6V60.200	50	200		-	0.080	48	X	piece

Fix with:

-	I6VM6.10	-	-	M6	10	0.008	100	X	piece
---	-----------------	---	---	----	----	-------	-----	---	-------

Pickled and passivated.

KBV

Fast locking for KBSI



Standard finish

Stainless Steel

HD	Reference	↓ mm	↔ mm	→ ← mm	↔ mm	kg/ piece	📦	Stock	Unit
-	KBV	-			-	0.001	100	X	piece

To order per full packaging.

DCL

Cover clamp clips



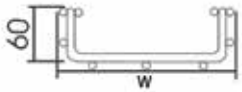
2 pieces per meter.
Not applicable for I4KG / I6KG.

Standard finish		Spring steel							
HD	Reference	↕ mm	↔ mm	↔ ↔ mm	↔↔ mm	kg/ piece	📦	Stock	Unit
-	DCL	-			-	0.005	100	X	piece

To order per full packaging.

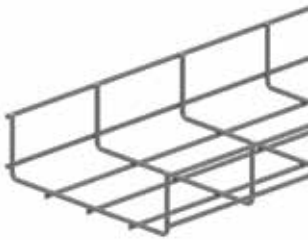
I6VF

Wire cable tray for heavy duty



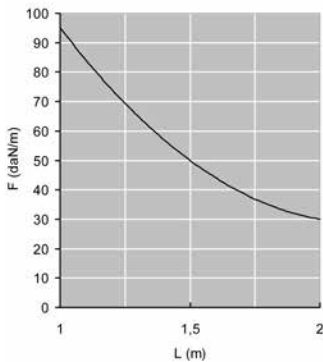
Screen: 50x100 mm
Thread: 4.50 mm

Standard finish		Stainless Steel 316							
HD	Reference	↕ mm	↔ mm	↔ ↔ mm	↔↔ mm	kg/m	📦	Stock	Unit
-	I6VF60.050	60	50		3000	0.690	30	X	m
-	I6VF60.100	60	97		3000	1.010	30	X	m
-	I6VF60.200	60	197		3000	1.263	30	X	m
-	I6VF60.300	60	297		3000	1.660	30	X	m
-	I6VF60.400	60	397		3000	2.040	30	X	m
-	I6VF60.500	60	497		3000	2.427	3	X	m



LOAD DIAGRAM

Graph valid for I6VF60. This diagram illustrates the permissible uniformly distributed loads applied to multiple supports. They comply with IEC 61537 par 10.3.3 test type III with connection to 1/5 of the span.



F = max. admissible load (daN/m)

L = support distance (m)

Max. deflection (m) = L/100

Pickled and passivated.

I6D

Universal cover



Cover with board height of 10 mm.

Standard finish

Stainless Steel 316

HD	Reference	↑ mm	↔ mm	↔ mm	↔ mm	kg/m	📦	Stock	Unit
-	I6D100	10	102		3000	0.820	3		m
-	I6D200	10	202		3000	1.420	3		m
-	I6D300	10	302		3000	2.100	3		m
-	I6D400	10	402		3000	4.150	3		m

Fix with:

-	DCLVF	-	-	-	-	0.005	100	X	piece
---	--------------	---	---	---	---	-------	-----	---	-------

Covers with width > 400 mm are delivered with diagonal reinforcements.

Manufactured with protective film.

DCLVF

Cover clamp clips



2 pieces per meter.

Standard finish

Stainless Steel

HD	Reference	↑ mm	↔ mm	↔ mm	↔ mm	kg/ piece	📦	Stock	Unit
-	DCLVF	-			-	0.005	100	X	piece

To order per full packaging.

I6KPVF

Joiner for wire cable tray



Standard finish

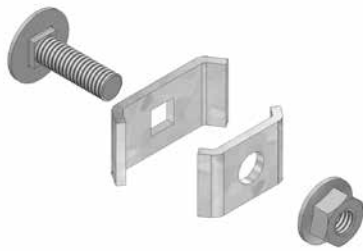
Stainless Steel 316

HD	Reference	↑ mm	↔ mm	↔ mm	↔ mm	kg/ piece	📦	Stock	Unit
-	I6KPVF	60			-	0.100	30	X	piece

Pickled and passivated.

I6VFK

Joining clamp



Standard finish

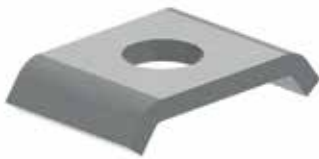
Stainless Steel 316

HD	Reference	↕ mm	↔ mm	↔ mm	↔↔ mm	kg/ piece	📦	Stock	Unit
-	I6VFK	-			-	0.020	50	X	piece

To order per full packaging.
Pickled and passivated.

I6VFKK25

Joining clamp



Standard finish

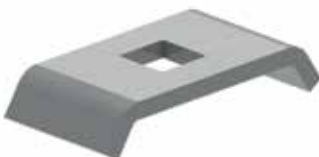
Stainless Steel 316

HD	Reference	↕ mm	↔ mm	↔ mm	↔↔ mm	kg/ piece	📦	Stock	Unit
-	I6VFKK25	-	25		-	0.005	50	X	piece

To order per full packaging.
Pickled and passivated.

I6VFKG30

Joining clamp



Standard finish

Stainless Steel 316

HD	Reference	↕ mm	↔ mm	↔ mm	↔↔ mm	kg/ piece	📦	Stock	Unit
-	I6VFKG30	-	30		-	0.007	50	X	piece

To order per full packaging.
Pickled and passivated.

I6VFKS

Support joiner for wire cable tray



For maximum stability and safety

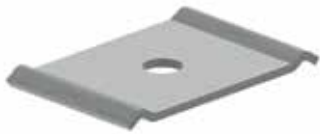
Standard finish Stainless Steel 316

HD	Reference	↑ mm	↔ mm	↔ mm	↔ mm	kg/ piece	📦	Stock	Unit
-	I6VFKS	55	250		-	0.270	20	X	piece

To order per full packaging.
Toothed round head and nut included.
Pickled and passivated.

I6VFCB

Central suspension bracket



Standard finish Stainless Steel 316

HD	Reference	↑ mm	↔ mm	↔ mm	↔ mm	kg/ piece	📦	Stock	Unit
-	I6VFCB	-			-	0.035	48	X	piece

To order per full packaging.
Can be used for wire cable trays I6VF60.100 and I6VF60.150.
Threaded rod I6TIM6 or I6TIM8 and nut I6M6 or I6M8, should be ordered separately.
Pickled and passivated.

I6VFM

Wall bracket



For fixing on the wall

Standard finish Stainless Steel 316

HD	Reference	↑ mm	↔ mm	↔ mm	↔ mm	kg/ piece	📦	Stock	Unit
-	I6VFM	-			-	0.030	20	X	piece

To order per full packaging.
Pickled and passivated.

I6VFO

Suspension piece



For threaded rod suspension

Standard finish

Stainless Steel 316

HD	Reference	↑ mm	↔ mm	→ ← mm	↔ mm	kg/ piece	📦	Stock	Unit
-	I6VFO	-			-	0.030	20	X	piece

To order per full packaging.

Threaded rod I6TIM6 or I6TIM8 should be ordered separately.

Pickled and passivated.

I6VFMM

Wall and mounting bracket



For fixing of contact boxes and wall fixing

Standard finish

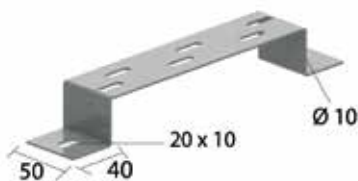
Stainless Steel 316

HD	Reference	↑ mm	↔ mm	→ ← mm	↔ mm	kg/ piece	📦	Stock	Unit
-	I6VFMM	60			-	0.080	20	X	piece

Pickled and passivated.

I6VMB

Floor and wall bracket



Suitable as floor-, wall-, and suspension bracket

Standard finish

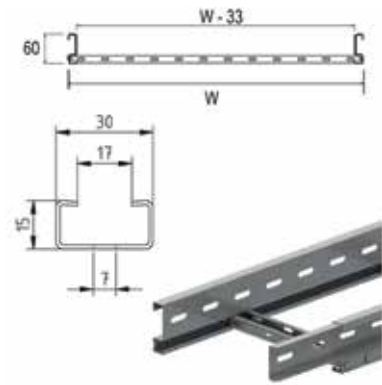
Stainless Steel 316

HD	Reference	↑ mm	↔ mm	→ ← mm	↔ mm	kg/ piece	📦	Stock	Unit
-	I6VMB100	40	100		-	0.180	30	X	piece
-	I6VMB200	40	200		-	0.260	30	X	piece
-	I6VMB300	40	300		-	0.340	30	X	piece
-	I6VMB400	40	400		-	0.420	20	X	piece

Pickled and passivated.

I4KLLI60

Cable ladder interlocking ends



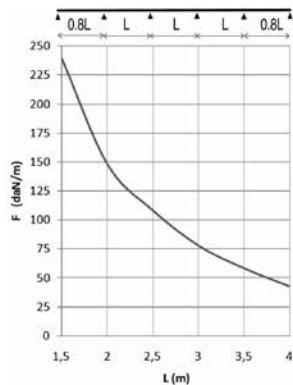
Side walls : perforated S-profile
Perforated C rungs 15 x 30

Usable inner height	44 mm
Rung distance	250 mm
To order	length 6000 mm
To order	width 700 - 1200 mm (increments of 100 mm)
Standard finish	Stainless Steel 304

HD	Reference	↑ mm	↔ mm	→ ← mm	↔ mm	kg/m	📦	Stock	Unit
-	I4KLLI60.150	60	150	1.00	3000	2.110	30		m
-	I4KLLI60.200	60	200	1.00	3000	2.210	30		m
-	I4KLLI60.300	60	300	1.00	3000	2.400	30		m
-	I4KLLI60.400	60	400	1.00	3000	2.590	30		m
-	I4KLLI60.500	60	500	1.00	3000	2.790	30		m
-	I4KLLI60.600	60	600	1.00	3000	3.810	30		m

Fix with:

-	I6VM6.10	-	-	M6	10	0.008	100	X	piece
---	-----------------	---	---	----	----	-------	-----	---	-------



BELASTUNGSDIAGRAMM

This diagram illustrates the permissible uniformly distributed horizontal loads applied to multiple supports. They comply with IEC 61537 with connection in the centre of the span and the end span = 0,8x the span.

F = max. admissible load (daN/m)

L = support distance (m)

Max. deflection (m) = L/100

CHARACTERISTICS

- lightweight
- strong
- interlocking
- partition (I4SLOS35) can be fixed to the cable ladder with a sliding nut (I6GM6) and pan head bolt (I6RB6.10)
- no further coupling holes are required if the cable ladder is cut
- use joiners (I6KLLKP60) and bolts (I6VM6.10) to join the cut lengths of cable ladder
- no joiners are required to attach accessories such as bends, tees etc.
- rungs are perforated to enable efficient attachment of cables.

TECHNICAL INFORMATION

Side walls are constructed from S profile with a return flange and are continuously perforated

Side walls are continuously perforated

C-profile rungs are fixed at 250 mm intervals

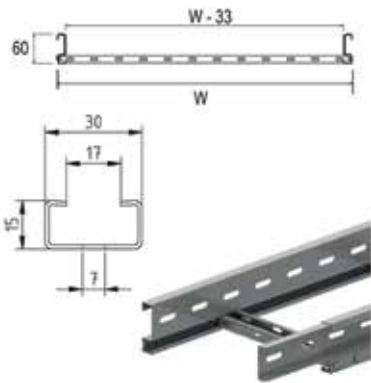
Rungs are mechanically attached to the side wall of the cable ladder

Rungs are alternately placed with openings upwards and downwards.

Pickled and passivated.

I6KLLI60

Cable ladder interlocking ends



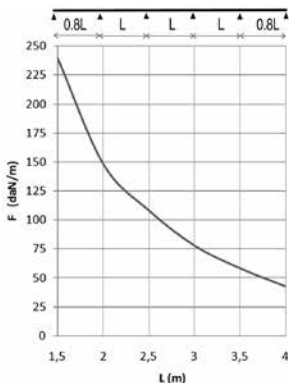
Side walls: perforated S-profile
 Perforated C rungs 15 x 30

Usable inner height	44 mm
Rung distance	250 mm
To order	length 6000 mm
To order	width 700 - 1200 mm (increments of 100 mm)
Standard finish	Stainless Steel 316

HD	Reference	↑ mm	↔ mm	→ ← mm	↔ mm	kg/m	📦	Stock	Unit
-	I6KLLI60.150	60	150	1.00	3000	2.110	30		m
-	I6KLLI60.200	60	200	1.00	3000	2.067	30		m
-	I6KLLI60.300	60	300	1.00	3000	2.400	30		m
-	I6KLLI60.400	60	400	1.00	3000	2.590	30		m
-	I6KLLI60.500	60	500	1.00	3000	2.790	30		m
-	I6KLLI60.600	60	600	1.00	3000	3.224	30		m

Fix with:

-	I6VM6.10	-	-	M6	10	0.008	100	X	piece
---	-----------------	---	---	----	----	-------	-----	---	-------



LOAD DIAGRAM

This diagram illustrates the permissible uniformly distributed horizontal loads applied to multiple supports. They comply with IEC 61537 with connection in the centre of the span and the end span = 0,8x the span.

F = max. admissible load (daN/m)

L = support distance (m)

Max. deflection (m) = L/100

CHARACTERISTICS

- lightweight
- strong
- interlocking
- partition (I6SLOS35) can be fixed to the cable ladder with a sliding nut (I6GM6) and pan head bolt (I6RB6.10)
- no further coupling holes are required if the cable ladder is cut
- use joiners (I6KLLKP60) and bolts (I6VM6.10) to join the cut lengths of cable ladder
- no joiners are required to attach accessories such as bends, tees etc.
- rungs are perforated to enable efficient attachment of cables.

TECHNICAL INFORMATION

Side walls are constructed from S profile with a return flange and are continuously perforated

Side walls are continuously perforated

C-profile rungs are fixed at 250 mm intervals

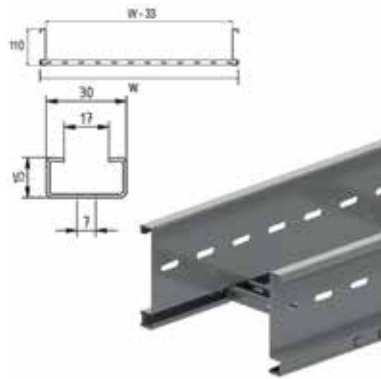
Rungs are mechanically attached to the side wall of the cable ladder

Rungs are alternately placed with openings upwards and downwards.

Pickled and passivated.

I4KLL110

Cable ladder



Side walls : perforated S-profile
Perforated C rungs 15 x 30

Usable inner height	94 mm
Rung distance	250 mm
To order	length 6000 mm
To order	width 700 - 1200 mm (increments of 100 mm)
Standard finish	Stainless Steel 304

HD	Reference	↑	↔	→ ←	↔	kg/m	📦	Stock	Unit
-	I4KLL110.200	110	200	1.25	3000	3.610	18		m
-	I4KLL110.300	110	300	1.25	3000	3.810	18		m
-	I4KLL110.400	110	400	1.25	3000	4.000	18		m
-	I4KLL110.500	110	500	1.25	3000	4.190	18		m
-	I4KLL110.600	110	600	1.25	3000	5.210	18		m

Fix with:

-	I6VM6.10	-	-	M6	10	0.008	100	X	piece
---	-----------------	---	---	----	----	-------	-----	---	-------

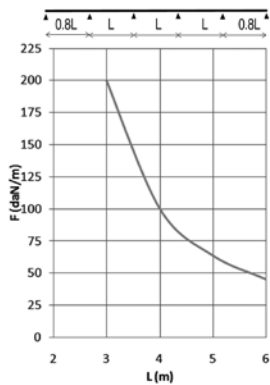
LOAD DIAGRAM

This diagram illustrates the permissible uniformly distributed horizontal loads applied to multiple supports. They comply with IEC 61537 with connection in the centre of the span and the end span = 0,8x the span.

F = max. admissible load (daN/m)

L = support distance (m)

Max. deflection (m) = L/100



CHARACTERISTICS

- lightweight
- strong
- partition (I6SLOS85) can be fixed to the cable ladder with a sliding nut (I6GM6) and pan head bolt (I6RB6.10)
- no further coupling holes are required if the cable ladder is cut.
- rungs are perforated to enable efficient attachment of cables.

TECHNICAL INFORMATION

Side walls are constructed from S profile with a return flange and are continuously perforated.

C-profile rungs are fixed at 250 mm intervals.

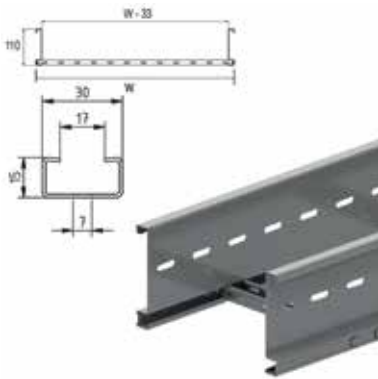
Rungs are mechanically attached to the side wall of the cable ladder.

Rungs are alternately placed with openings upwards and downwards.

Pickled and passivated.

I6KLL110

Cable ladder



Side walls: perforated S-profile
 Perforated C rungs 15 x 30

Usable inner height	94 mm
Rung distance	250 mm
To order	length 6000 mm
To order	width 700 - 1200 mm (increments of 100 mm)
Standard finish	Stainless Steel 316

HD	Reference	↑ mm	↔ mm	→ ← mm	↔ mm	kg/m	📦	Stock	Unit
-	I6KLL110.200	110	200	1.25	3000	3.610	18		m
-	I6KLL110.300	110	300	1.25	3000	3.810	18		m
-	I6KLL110.400	110	400	1.25	3000	4.000	18		m
-	I6KLL110.500	110	500	1.25	3000	4.190	18		m
-	I6KLL110.600	110	600	1.25	3000	4.624	18		m
-	I6KLL110.200.6	110	200	1.25	6000	3.610	18		m
-	I6KLL110.400.6	110	400	1.25	6000	4.000	18		m
-	I6KLL110.600.6	110	600	1.25	6000	4.624	18		m

Fix with:

-	I6KLLKP110	89	13	-	-	0.500	12		piece
-	I6VM6.10	-	-	M6	-	0.008	100	X	piece

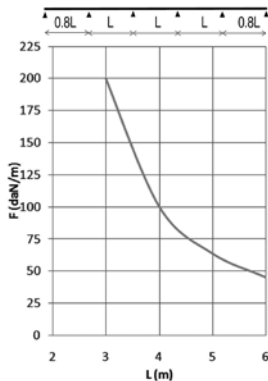
LOAD DIAGRAM

This diagram illustrates the permissible uniformly distributed horizontal loads applied to multiple supports. They comply with IEC 61537 with connection in the centre of the span and the end span = 0,8x the span.

F = max. admissible load (daN/m)

L = support distance (m)

Max. deflection (m) = L/100



CHARACTERISTICS

- lightweight
- strong
- partition (I6SLOS85) can be fixed to the cable ladder with a sliding nut (I6GM6) and pan head bolt (I6RB6.10)
- no further coupling holes are required if the cable ladder is cut.
- rungs are perforated to enable efficient attachment of cables.

TECHNICAL INFORMATION

Side walls are constructed from S profile with a return flange and are continuously perforated.

C-profile rungs are fixed at 250 mm intervals.

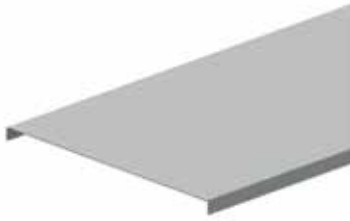
Rungs are mechanically attached to the side wall of the cable ladder.

Rungs are alternately placed with openings upwards and downwards.

Pickled and passivated.

I4D

Universal cover



Cover with board height of 10 mm.

Standard finish Stainless Steel 304

HD	Reference	↑ mm	↔ mm	↔ mm	↔ mm	kg/m	📦	Stock	Unit
-	I4D200	10	202	0.80	3000	1.420	3		m
-	I4D300	10	302	0.80	3000	2.100	3		m
-	I4D400	10	402	1.00	3000	4.150	3		m

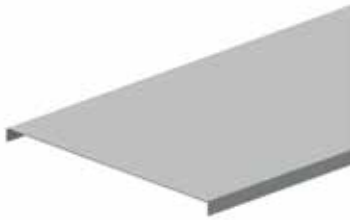
Fix with:

-	I4KLLDK	20	20	-	-	0.024	20		piece
---	----------------	----	----	---	---	-------	----	--	-------

Covers with width > 400 mm are delivered with diagonal reinforcements.
Manufactured with protective film.

I6D

Universal cover



Cover with board height of 10 mm.

Standard finish Stainless Steel 316

HD	Reference	↑ mm	↔ mm	↔ mm	↔ mm	kg/m	📦	Stock	Unit
-	I6D200	10	202	0.80	3000	1.420	3		m
-	I6D300	10	302	0.80	3000	2.100	3		m
-	I6D400	10	402	1.00	3000	4.150	3		m

Fix with:

-	I6KLLDK	20	20	-	-	0.024	20		piece
---	----------------	----	----	---	---	-------	----	--	-------

Covers with width > 400 mm are delivered with diagonal reinforcements.
Manufactured with protective film.

I4KLLDK

Cover clamp for I4KLL



Number: 2 pieces per metre

Standard finish Stainless Steel 304

HD	Reference	↑ mm	↔ mm	↔ mm	↔ mm	kg/ piece	📦	Stock	Unit
-	I4KLLDK	20	20		-	0.024	20		piece

To order per full packaging.
Included: Bolt I6B6.20
Pickled and passivated.

I6KLLDK

Cover clamp for I6KLL



Number: 2 pieces per metre.

Standard finish

Stainless Steel 316

HD	Reference	↕ mm	↔ mm	↔ mm	↔ mm	kg/ piece	📦	Stock	Unit
-	I6KLLDK	20	20			0.024	20		piece

The technical information for this product can be found at the end of this chapter.

To order per full packaging.

Included: Bolt I6B6.20

Pickled and passivated.

I6KLLABD

Distance bracket for cover I6KLL



Standard finish

Stainless Steel 316

HD	Reference	↕ mm	↔ mm	↔ mm	↔ mm	kg/ piece	📦	Stock	Unit
-	I6KLLABD	90	60		19	0.100	4		piece

Fix with:

-	I6VM6.10	-	-	M6	10	0.008	100	X	piece
-	I6KLLDK	20	20	-	-	0.024	20		piece

The technical information for this product can be found at the end of this chapter.

To order per full packaging.

Can be used for heights 60 - 110 mm.

2 pieces per meter.

Pickled and passivated.

I6KLLB

Horizontal bend for I6KLL



Radius 300 mm

Standard finish Stainless Steel 316

HD	Reference	↓ mm	↔ mm	↔ mm	↔ mm	kg/ piece	Stock	Unit
-	I6KLLB60.150	60	141		-	1.659	1	piece
-	I6KLLB60.200	60	191		-	1.898	1	piece
-	I6KLLB60.300	60	291		-	2.375	1	piece
-	I6KLLB60.400	60	391		-	2.852	1	piece
-	I6KLLB60.500	60	491		-	3.329	1	piece
-	I6KLLB60.600	60	591		-	3.806	1	piece
-	I6KLLB110.200	110	195		-	2.826	1	piece
-	I6KLLB110.300	110	295		-	3.384	1	piece
-	I6KLLB110.400	110	395		-	3.940	1	piece
-	I6KLLB110.500	110	495		-	4.498	1	piece
-	I6KLLB110.600	110	595		-	5.055	1	piece

Fix with:

-	I6VM6.10	-	-	M6	10	0.008	100	X	piece
---	-----------------	---	---	----	----	-------	-----	---	-------

Minimum number bolts and nuts: 8 pieces.

Pickled and passivated.

I6KLLT

T-piece for I6KLL



Radius 300 mm

Standard finish Stainless Steel 316

	150	200	300	400	500	600
A	1021	1071	1171	1271	1371	1471

HD	Reference	↓ mm	↔ mm	↔ mm	↔ mm	kg/ piece	Stock	Unit
-	I6KLLT60.150	60	141		-	2.229	1	piece
-	I6KLLT60.200	60	191		-	2.821	1	piece
-	I6KLLT60.300	60	291		-	3.447	1	piece
-	I6KLLT60.400	60	391		-	3.882	1	piece
-	I6KLLT60.500	60	491		-	4.317	1	piece
-	I6KLLT60.600	60	591		-	4.753	1	piece
-	I6KLLT110.200	110	195		-	4.131	1	piece
-	I6KLLT110.300	110	295		-	4.806	1	piece
-	I6KLLT110.400	110	395		-	5.290	1	piece
-	I6KLLT110.500	110	495		-	5.775	1	piece
-	I6KLLT110.600	110	595		-	6.260	1	piece

Fix with:

-	I6VM6.10	-	-	M6	10	0.008	100	X	piece
---	-----------------	---	---	----	----	-------	-----	---	-------

Minimum number bolts and nuts: 12 pieces.

Pickled and passivated.

I6KLLX

Cross-over for I6KLL



Radius	300 mm
Standard finish	Stainless Steel 316

	150	200	300	400	500	600
A	1021	1071	1171	1271	1371	1471

HD	Reference	↑ mm	↔ mm	→ ← mm	↔ mm	kg/ piece	📦	Stock	Unit
-	I6KLLX60.150	60	141		-	3.131	1		piece
-	I6KLLX60.200	60	191		-	3.232	1		piece
-	I6KLLX60.300	60	291		-	4.421	1		piece
-	I6KLLX60.400	60	391		-	4.875	1		piece
-	I6KLLX60.500	60	491		-	5.329	1		piece
-	I6KLLX60.600	60	591		-	5.782	1		piece
-	I6KLLX110.200	110	195		-	4.796	1		piece
-	I6KLLX110.300	110	295		-	5.985	1		piece
-	I6KLLX110.400	110	395		-	6.439	1		piece
-	I6KLLX110.500	110	495		-	6.893	1		piece
-	I6KLLX110.600	110	595		-	7.346	1		piece

Fix with:

-	I6VM6.10	-	-	M6	10	0.008	100	X	piece
---	-----------------	---	---	----	----	-------	-----	---	-------

Minimum number bolts and nuts: 16 pieces.

Pickled and passivated.

I6KLLVB

External riser for I6KLL



Radius	600 mm
Standard finish	Stainless Steel 316

HD	Reference	↑ mm	↔ mm	→ ← mm	↔ mm	kg/ piece	📦	Stock	Unit
-	I6KLLVB60.150	60	146		-	1.528	1		piece
-	I6KLLVB60.200	60	196		-	1.629	1		piece
-	I6KLLVB60.300	60	296		-	1.830	1		piece
-	I6KLLVB60.400	60	396		-	2.032	1		piece
-	I6KLLVB60.500	60	496		-	2.234	1		piece
-	I6KLLVB60.600	60	596		-	2.435	1		piece
-	I6KLLVB110.200	110	196		-	2.755	1		piece
-	I6KLLVB110.300	110	296		-	2.956	1		piece
-	I6KLLVB110.400	110	396		-	3.158	1		piece
-	I6KLLVB110.500	110	496		-	3.360	1		piece
-	I6KLLVB110.600	110	596		-	3.561	1		piece

Fix with:

-	I6VM6.10	-	-	M6	10	0.008	100	X	piece
---	-----------------	---	---	----	----	-------	-----	---	-------

Minimum number bolts and nuts: 8 pieces.

Pickled and passivated.

I6KLLSB

Internal riser for I6KLL



Radius 600 mm

Standard finish Stainless Steel 316

HD	Reference	↑ mm	↔ mm	↗ mm	↘ mm	kg/ piece	📦	Stock	Unit
-	I6KLLSB60.150	60	146		-	1.528	1		piece
-	I6KLLSB60.200	60	196		-	1.629	1		piece
-	I6KLLSB60.300	60	296		-	1.830	1		piece
-	I6KLLSB60.400	60	396		-	2.032	1		piece
-	I6KLLSB60.500	60	496		-	2.234	1		piece
-	I6KLLSB60.600	60	596		-	2.435	1		piece
-	I6KLLSB110.200	110	196		-	2.755	1		piece
-	I6KLLSB110.300	110	296		-	2.956	1		piece
-	I6KLLSB110.400	110	396		-	3.158	1		piece
-	I6KLLSB110.500	110	496		-	3.360	1		piece
-	I6KLLSB110.600	110	596		-	3.561	1		piece

Fix with:

-	I6VM6.10	-	-	M6	10	0.008	100	X	piece
---	-----------------	---	---	----	----	-------	-----	---	-------

Minimum number bolts and nuts: 8 pieces.

Pickled and passivated.

I6KLLVSB

Flexible (rising / low) bend for I6KLL



Standard finish

Stainless Steel 316

HD	Reference	↑ mm	↔ mm	↗ mm	↘ mm	kg/ piece	📦	Stock	Unit
-	I6KLLVSB60.150	60	150		1040	2.746	1		piece
-	I6KLLVSB60.200	60	200		1040	2.842	1		piece
-	I6KLLVSB60.300	60	300		1040	3.038	1		piece
-	I6KLLVSB60.400	60	400		1040	3.230	1		piece
-	I6KLLVSB60.500	60	500		1040	3.422	1		piece
-	I6KLLVSB60.600	60	600		1040	3.614	1		piece
-	I6KLLVSB110.200	110	200		1090	5.129	1		piece
-	I6KLLVSB110.300	110	300		1090	5.325	1		piece
-	I6KLLVSB110.400	110	400		1090	5.517	1		piece
-	I6KLLVSB110.500	110	500		1090	5.709	1		piece
-	I6KLLVSB110.600	110	600		1090	5.901	1		piece

Fix with:

-	I6VM6.10	-	-	M6	10	0.008	100	X	piece
---	-----------------	---	---	----	----	-------	-----	---	-------

Minimum number bolts and nuts: 8 pieces.

Pickled and passivated.

I6KLLAH

Horizontal branch hook for I6KLL



Standard finish

Stainless Steel 316

HD	Reference	↑ mm	↔ mm	↔ mm	↔ mm	kg/ piece	📦	Stock	Unit
-	I6KLLAH60	39	118		62	0.100	2		piece
-	I6KLLAH110	88	118		111	0.230	2		piece
Fix with:									
-	I6VM6.10	-	-	M6	10	0.008	100	X	piece

To order per full packaging.
Minimum number bolts and nuts: 4 pieces.
Pickled and passivated.

I6KLLAHV

Vertical branch hook for I6KLL



Standard finish

Stainless Steel 316

HD	Reference	↑ mm	↔ mm	↔ mm	↔ mm	kg/ piece	📦	Stock	Unit
-	I6KLLAHV60	39	16		162	0.100	2		piece
-	I6KLLAHV110	88	16		212	0.230	2		piece
Fix with:									
-	I6VM6.10	-	-	M6	10	0.008	100	X	piece

To order per full packaging.
Minimum number bolts and nuts: 4 pieces.
Pickled and passivated.

I6KLLDSH

Horizontal hinged joiner for I6KLL



Standard finish

Stainless Steel 316

HD	Reference	↑ mm	↔ mm	↔ mm	↔ mm	kg/ piece	📦	Stock	Unit
-	I6KLLDSH60	41	10		200	0.080	6		piece
-	I6KLLDSH110	90	10		200	0.157	6		piece
Fix with:									
-	I6VM6.10	-	-	M6	10	0.008	100	X	piece

To order per full packaging.
Minimum number bolts and nuts: 4 pieces.
Pickled and passivated.

I6KLLDSV

Vertical hinged joiner for I6KLL



Standard finish

Stainless Steel 316

HD	Reference	↓ mm	↔ mm	↔ ← mm	↔ mm	kg/ piece	📦	Stock	Unit
-	I6KLLDSV60	37	12		240	0.160	6		piece
-	I6KLLDSV110	88	12		290	0.380	6		piece
Fix with:									
-	I6VM6.10	-	-	M6	10	0.008	100	X	piece

To order per full packaging.
Minimum number bolts and nuts: 4 pieces.
Pickled and passivated.

I6KLLVS

Reducing plate for I6KLL



Max. reduction of 300mm

Standard finish

Stainless Steel 316

HD	Reference	↓ mm	↔ mm	↔ ← mm	↔ mm	kg/ piece	📦	Stock	Unit
-	I6KLLVS60	37	13		400	0.260	1		piece
-	I6KLLVS110	89	13		500	0.740	1		piece
Fix with:									
-	I6VM6.10	-	-	M6	10	0.008	100	X	piece

The technical information for this product can be found at the end of this chapter.
Minimum number bolts and nuts: 4 pieces.
Pickled and passivated.

I6KLLVST

Floor support for I6KLL



Standard finish

Stainless Steel 316

HD	Reference	↓ mm	↔ mm	↔ ← mm	↔ mm	kg/ piece	📦	Stock	Unit
-	I6KLLVST60	37	35		100	0.080	2		piece
-	I6KLLVST110	88	82		100	0.190	2		piece
Fix with:									
-	I6VM6.10	-	-	M6	10	0.008	100	X	piece

To order per full packaging.
Minimum number bolts and nuts: 2 pieces.
Pickled and passivated.

I6KLLKP

Joiner for I6KLL



Standard finish

Stainless Steel 316

HD	Reference	↑ mm	↔ mm	→ ← mm	↔ mm	kg/ piece	📦	Stock	Unit
-	I6KLLKP60	41	10		200	0.085	12		piece
-	I6KLLKP110	89	13		400	0.500	12		piece
Fix with:									
-	I6VM6.10	-	-	M6	10	0.008	100	X	piece

The technical information for this product can be found at the end of this chapter.

Minimum number bolts and nuts: 4 pieces.

Pickled and passivated.

I6KLLBK

Bracket clamp for I6KLL



For fixing the cable ladder on the wall bracket.
Number: 2 per bracket

Standard finish Stainless Steel 316

HD	Reference	↓ mm	↔ mm	↔ mm	↔ mm	kg/ piece	📦	Stock	Unit
-	I6KLLBK25	13	25		-	0.040	20		piece
-	I6KLLBK40	13	40		-	0.098	20	X	piece

The technical information for this product can be found at the end of this chapter.

To order per full packaging.

Included: Bolt I6B6.20 and nuts I6RM6.

25 for cantilevers

40 for 41 profiles

Pickled and passivated.

DOPKLL

End cap for KLL



Color yellow

Standard finish Polyvinyl chloride

HD	Reference	↓ mm	↔ mm	↔ mm	↔ mm	kg/ piece	📦	Stock	Unit
-	DOPKLL60	60			-	0.016	12		piece
-	DOPKLL110	110			-	0.025	12		piece

To order per full packaging.

I6SLOS

Bolt-in partition



Standard finish Stainless Steel 316

HD	Reference	↓ mm	↔ mm	↔ mm	↔ mm	kg/m	📦	Stock	Unit
-	I6SLOS35	35			3000	0.330	3		m
-	I6SLOS60	60			3000	0.510	3		m
-	I6SLOS85	85			3000	0.680	3		m

Fix with:

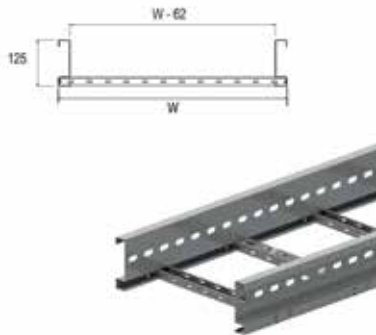
-	I6GM6	-	-	M6	-	0.010	50		piece
-	I6RB6.10	-	-	M6	10	0.004	100		piece

Fixing set: 1 per meter.

Manufactured with protective film.

I6KLM

Cable ladder height 125



Cable ladder for large support distances up to 8 metres
 Perforated C rungs 41 x 21

Usable inner height	102 mm
Rung distance	250 mm (to order : 100 mm - 300 mm, increments of 50 mm)
To order	length 3000 mm or 9000 mm
To order	width 700 - 1200 mm (increments of 100 mm)
Standard finish	Stainless Steel 316

HD	Reference	↑ mm	↔ mm	→ ← mm	↔ mm	kg/m	📦	Stock	Unit
-	I6KLM200	125	218	1.50	6000	6.000	60		m
-	I6KLM300	125	318	1.50	6000	6.320	60		m
-	I6KLM400	125	418	1.50	6000	6.640	60		m
-	I6KLM500	125	518	1.50	6000	6.960	60		m
-	I6KLM600	125	618	1.50	6000	7.280	60		m

Fix with:

-	I6KLMKP	97	25	-	-	1.260	1		piece
-	I6RBK12.20	-	-	M12	-	0.052	100		piece
-	I6M12	-	-	M12	-	0.017	100		piece
-	I6RO12	-	-	M12	-	0.006	100		piece

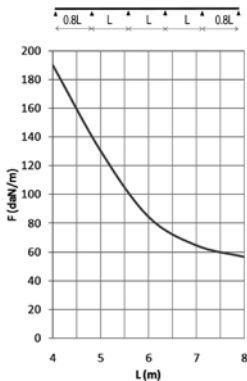
LOAD DIAGRAM

This diagram illustrates the permissible uniformly distributed horizontal loads applied to multiple supports. They comply with IEC 61537 with connection in the centre of the span and the end span = 0,8x the span.

F = max. admissible load (daN/m)

L = support distance (m)

Max. deflection (m) = L/200



CHARACTERISTICS

- strong
- usable inner height 102 mm, ideal for large diameter cables
- no further coupling holes are required if the cable ladder is cut
- no joiners are required to attach accessories such as bends, tees etc.
- rungs are perforated to enable efficient attachment of cables
- partition (I6SLOS85) can be fixed to the cable ladder with a sliding nut (I6PNP06) and pan head bolt (I6RB6.20).

TECHNICAL INFORMATION

Side walls are constructed from S profile with a return flange and are continuously perforated

- C-profile rungs are fixed at 250 mm intervals.
- rungs are mechanically attached to the side wall of the cable ladder.
- rungs are alternately placed with openings upwards and downwards.

Pickled and passivated.

I6DIG

Cover industrial



Standard finish

Stainless Steel 316

HD	Reference	↓ mm	↔ mm	↔ mm	↔ mm	kg/m	📦	Stock	Unit
-	I6DIG200	15	223	0.80	2000	1.850	10		m
-	I6DIG300	15	323	0.80	2000	2.650	10		m
-	I6DIG400	15	423	1.25	2000	4.100	10		m
-	I6DIG500	15	523	1.25	2000	5.050	10		m
-	I6DIG600	15	623	1.25	2000	5.950	10		m

Fix with:

-	I6DKIG	-	-	-	-	0.030	20		piece
---	---------------	---	---	---	---	-------	----	--	-------

Covers with width > 400 mm are delivered with diagonal reinforcements.
Pickled and passivated/ Manufactured with protective film.

I6DKIG

Cover clamp



Number: 2 pieces per metre.

Standard finish

Stainless Steel 316

HD	Reference	↓ mm	↔ mm	↔ mm	↔ mm	kg/ piece	📦	Stock	Unit
-	I6DKIG	-				0.030	20		piece

To order per full packaging.
Included: Bolt I6B6.30
Pickled and passivated.

I6KLMZWABD

Distance bracket cover I6KLM/I6KLZ/I6KLW



Number: 2 pieces per metre.

Standard finish

Stainless Steel 316

HD	Reference	↓ mm	↔ mm	↔ mm	↔ mm	kg/ piece	📦	Stock	Unit
-	I6KLMZWABD	155	40		34	0.187	4		piece

Fix with:

-	I6DKIG	-	-	-	-	0.030	20		piece
---	---------------	---	---	---	---	-------	----	--	-------

The technical information for this product can be found at the end of this chapter.

To order per full packaging.
Pickled and passivated.

I6KLMB

Horizontal bend for I6KLM



Radius	600 mm
Standard finish	Stainless Steel 316

HD	Reference	↑ mm	↔ mm	↔ mm	↔ mm	kg/ piece	📦	Stock	Unit
-	I6KLMB200	125	208		-	6.719	1		piece
-	I6KLMB300	125	308		-	7.592	1		piece
-	I6KLMB400	125	408		-	8.464	1		piece
-	I6KLMB500	125	508		-	9.336	1		piece
-	I6KLMB600	125	608		-	10.210	1		piece

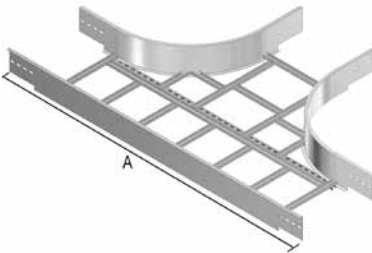
Fix with:									
-	I6RO12	-	-	M12	-	0.006	100		piece
-	I6M12	-	-	M12	-	0.017	100		piece
-	I6RBK12.20	-	-	M12	20	0.052	100		piece

Minimum number bolts and nuts: 8 pieces.

Pickled and passivated.

I6KLMT

T-piece for I6KLM



Radius	600 mm
Standard finish	Stainless Steel 316

	200	300	400	500	600
A	1962	2062	2162	2262	2362

HD	Reference	↑ mm	↔ mm	↔ mm	↔ mm	kg/ piece	📦	Stock	Unit
-	I6KLMT200	125	208		-	11.506	1		piece
-	I6KLMT300	125	308		-	12.433	1		piece
-	I6KLMT400	125	408		-	13.363	1		piece
-	I6KLMT500	125	508		-	14.288	1		piece
-	I6KLMT600	125	608		-	15.215	1		piece

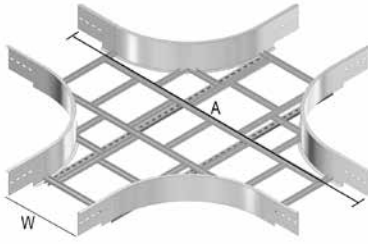
Fix with:									
-	I6RO12	-	-	M12	-	0.006	100		piece
-	I6M12	-	-	M12	-	0.017	100		piece
-	I6RBK12.20	-	-	M12	20	0.052	100		piece

Minimum number bolts and nuts: 12 pieces.

Pickled and passivated.

I6KLMX

Cross-over for I6KLM



Radius 600 mm

Standard finish Stainless Steel 316

	200	300	400	500	600
A	1962	2062	2162	2262	2362

HD	Reference	↓ mm	↔ mm	↔ mm	↔ mm	kg/ piece	📦	Stock	Unit
-	I6KLMX200	125	208		-	13.339	1		piece
-	I6KLMX300	125	308		-	16.184	1		piece
-	I6KLMX400	125	408		-	17.302	1		piece
-	I6KLMX500	125	508		-	18.371	1		piece
-	I6KLMX600	125	608		-	19.439	1		piece

Fix with:

-	I6RO12	-	-	M12	-	0.006	100		piece
-	I6M12	-	-	M12	-	0.017	100		piece
-	I6RBK12.20	-	-	M12	20	0.052	100		piece

Minimum number bolts and nuts: 16 pieces.

Pickled and passivated.

I6KLMVB

External riser for I6KLM



Radius 600 mm

Standard finish Stainless Steel 316

HD	Reference	↓ mm	↔ mm	↔ mm	↔ mm	kg/ piece	📦	Stock	Unit
-	I6KLMVB200	125	208		-	5.306	1		piece
-	I6KLMVB300	125	308		-	5.634	1		piece
-	I6KLMVB400	125	408		-	5.963	1		piece
-	I6KLMVB500	125	508		-	6.292	1		piece
-	I6KLMVB600	125	608		-	6.621	1		piece

Fix with:

-	I6RO12	-	-	M12	-	0.006	100		piece
-	I6M12	-	-	M12	-	0.017	100		piece
-	I6RBK12.20	-	-	M12	20	0.052	100		piece

Minimum number bolts and nuts: 8 pieces.

Pickled and passivated.

I6KLMSB

Internal riser for I6KLM



Radius 600 mm

Standard finish Stainless Steel 316

HD	Reference	↑ mm	↔ mm	↔ mm	↔ mm	kg/ piece	📦	Stock	Unit
-	I6KLMSB200	125	208		-	5.306	1		piece
-	I6KLMSB300	125	308		-	5.634	1		piece
-	I6KLMSB400	125	408		-	5.963	1		piece
-	I6KLMSB500	125	508		-	6.292	1		piece
-	I6KLMSB600	125	608		-	6.621	1		piece

Fix with:

-	I6RO12	-	-	M12	-	0.006	100		piece
-	I6M12	-	-	M12	-	0.017	100		piece
-	I6RBK12.20	-	-	M12	20	0.052	100		piece

Minimum number bolts and nuts: 8 pieces.

Pickled and passivated.

I6KLMVSB

Flexible (rising / low) bend for I6KLM



Standard finish

Stainless Steel 316

HD	Reference	↑ mm	↔ mm	↔ mm	↔ mm	kg/ piece	📦	Stock	Unit
-	I6KLMVSB200	125	218		1135	9.275	1		piece
-	I6KLMVSB300	125	318		1135	9.595	1		piece
-	I6KLMVSB400	125	418		1135	9.915	1		piece
-	I6KLMVSB500	125	518		1135	10.235	1		piece
-	I6KLMVSB600	125	618		1135	10.559	1		piece

Fix with:

-	I6RO12	-	-	M12	-	0.006	100		piece
-	I6M12	-	-	M12	-	0.017	100		piece
-	I6RBK12.20	-	-	M12	20	0.052	100		piece

Minimum number bolts and nuts: 8 pieces.

Pickled and passivated.

I6KLMAH

Horizontal branch hook for I6KLM



Slides in the C-opening of the sidewalls .

Standard finish

Stainless Steel 316

HD	Reference	↑ mm	↔ mm	↔ mm	↔ mm	kg/ piece	📦	Stock	Unit
-	I6KLMAH	96	169		125	0.420	2		piece

Fix with:

-	I6RO12	-	-	M12	-	0.006	100		piece
-	I6M12	-	-	M12	-	0.017	100		piece
-	I6RBK12.20	-	-	M12	20	0.052	100		piece

To order per full packaging.

Minimum number bolts and nuts: 4 pieces.

Pickled and passivated.

I6KLMAHV

Vertical branch hook for I6KLM



Slides in the C-opening of the sidewalls.

Standard finish

Stainless Steel 316

HD	Reference	↓ mm	↔ mm	↗ mm	↔ mm	kg/ piece	📦	Stock	Unit
-	I6KLMAHV	96	27		265	0.420	2		piece
Fix with:									
-	I6RO12	-	-	M12	-	0.006	100		piece
-	I6M12	-	-	M12	-	0.017	100		piece
-	I6RBK12.20	-	-	M12	20	0.052	100		piece

To order per full packaging.

Minimum number bolts and nuts: 3 pieces.

Pickled and passivated.

I6KLMDSH

Horizontal hinged joiner for I6KLM



Standard finish

Stainless Steel 316

HD	Reference	↓ mm	↔ mm	↗ mm	↔ mm	kg/ piece	📦	Stock	Unit
-	I6KLMDSH	96	25		330	0.686	2		piece
Fix with:									
-	I6RO12	-	-	M12	-	0.006	100		piece
-	I6M12	-	-	M12	-	0.017	100		piece
-	I6RBK12.20	-	-	M12	20	0.052	100		piece

To order per full packaging.

Minimum number bolts and nuts: 4 pieces.

Pickled and passivated.

I6KLMDSV

Vertical hinged joiner for I6KLM



Slides in the C-opening of the sidewalls

Premounted

Standard finish

Stainless Steel 316

HD	Reference	↓ mm	↔ mm	↗ mm	↔ mm	kg/ piece	📦	Stock	Unit
-	I6KLMDSV	96	20		434	0.820	2		piece
Fix with:									
-	I6RO12	-	-	M12	-	0.006	100		piece
-	I6M12	-	-	M12	-	0.017	100		piece
-	I6RBK12.20	-	-	M12	20	0.052	100		piece

To order per full packaging.

Minimum number bolts and nuts: 4 pieces.

Pickled and passivated.

I6KLMVST

Floor support for I6KLM



Slides in the C-opening of the sidewalls.

Standard finish

Stainless Steel 316

HD	Reference	↑ mm	↔ mm	↔ mm	↔ mm	kg/ piece	📦	Stock	Unit
-	I6KLMVST	96	114		150	0.410	2		piece

Fix with:

-	I6RO12	-	-	M12	-	0.006	100		piece
-	I6M12	-	-	M12	-	0.017	100		piece
-	I6RBK12.20	-	-	M12	20	0.052	100		piece

To order per full packaging.

Minimum number bolts and nuts: 2 pieces.

Pickled and passivated.

I6KLMVS

Reducing plate for I6KLM



Max. reduction of 300mm

Standard finish

Stainless Steel 316

HD	Reference	↑ mm	↔ mm	↔ mm	↔ mm	kg/ piece	📦	Stock	Unit
-	I6KLMVS	95	20		500	0.980	1		piece

Fix with:

-	I6RO12	-	-	M12	-	0.006	100		piece
-	I6M12	-	-	M12	-	0.017	100		piece
-	I6RBK12.20	-	-	M12	20	0.052	100		piece

Minimum number bolts and nuts: 4 pieces.

Pickled and passivated.

I6KLMZWAB

Distance bracket for I6KLM/I6KLZ/I6KLW



Used for vertical mounting of the cable ladder.

Standard finish

Stainless Steel 316

HD	Reference	↑ mm	↔ mm	↔ mm	↔ mm	kg/ piece	📦	Stock	Unit
-	I6KLMZWAB	170	50		61	0.304	4		piece

Fix with:

-	I6RO12	-	-	M12	-	0.006	100		piece
-	I6M12	-	-	M12	-	0.017	100		piece
-	I6RBK12.20	-	-	M12	20	0.052	100		piece

To order per full packaging.

Minimum number bolts and nuts: 1 pieces.

Pickled and passivated.

I6KLMKP

Joiner for I6KLM



Slides in the C-opening of the sidewalls.

Standard finish Stainless Steel 316

HD	Reference	↑ mm	↔ mm	→ ← mm	↔ mm	kg/ piece	📦	Stock	Unit
-	I6KLMKP	97	25		600	1.260	1		piece
Fix with:									
-	I6RO12	-	-	M12	-	0.006	100		piece
-	I6M12	-	-	M12	-	0.017	100		piece
-	I6RBK12.20	-	-	M12	20	0.052	100		piece

Minimum number bolts and nuts: 4 pieces.

Pickled and passivated.

I6KLMZWBK

Bracket clamp for I6KLM/I6KLZ/I6KLW



For fixing the cable ladder on the wall bracket.

Number: 2 per bracket

Standard finish Stainless Steel 316

HD	Reference	↑ mm	↔ mm	→ ← mm	↔ mm	kg/ piece	📦	Stock	Unit
-	I6KLMZWBK25	20	25		-	0.051	20		piece
-	I6KLMZWBK40	20	40		-	0.125	20	X	piece

To order per full packaging.

I6KLMZWBK25: Included: Bolt I6B6.20 and nuts I6RM6.

25 for cantilevers

40 for profiles.

Pickled and passivated.

DOPKLM

End cap for KLM



Color Yellow

Standard finish Polyvinyl chloride

HD	Reference	↕ mm	↔ mm	↔ mm	↔ mm	kg/ piece	📦	Stock	Unit
-	DOPKLM	125			-	0.034	12		piece

To order per full packaging.

I6SLOS

Bolt-in partition



Standard finish Stainless Steel 316

HD	Reference	↕ mm	↔ mm	↔ mm	↔ mm	kg/m	📦	Stock	Unit
-	I6SLOS85	85			3000	0.680	3		m

Fix with:

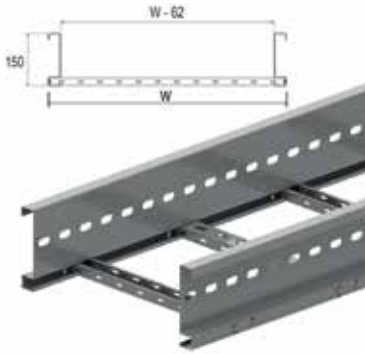
-	I6RB6.20	-	-	M6	20	0.006	100		piece
---	-----------------	---	---	----	----	-------	-----	--	-------

Fixing set: 1 per meter.

Manufactured with protective film.

I6KLZ

Cable ladder height 150



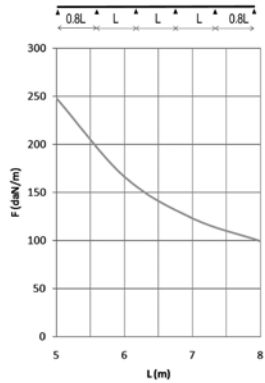
Cable ladder for large support distances
For span distance up to 8 metres
Perforated C rungs 41 x 21

Usable inner height	127 mm
Rung distance	250 mm (to order : 100 mm - 300 mm, increments of 50 mm)
To order	length 3000 mm or 9000 mm
To order	width 700 - 1200 mm (increments of 100 mm)
Standard finish	Stainless Steel 316

HD	Reference	mm	mm	mm	mm	kg/m	Stock	Unit
-	I6KLZ200	150	218	1.50	6000	7.520	48	m
-	I6KLZ300	150	318	1.50	6000	7.840	48	m
-	I6KLZ400	150	418	1.50	6000	8.160	48	m
-	I6KLZ500	150	518	1.50	6000	8.480	48	m
-	I6KLZ600	150	618	1.50	6000	8.810	48	m

Fix with:

-	I6RBK12.20	-	-	M12	-	0.052	100	piece
-	I6M12	-	-	M12	-	0.017	100	piece
-	I6RO12	-	-	M12	-	0.006	100	piece
-	I6KLZKP	121	25	-	-	1.490	1	piece



LOAD DIAGRAM

This diagram illustrates the permissible uniformly distributed horizontal loads applied to multiple supports. They comply with IEC 61537 with connection in the centre of the span and the end span = 0,8x the span.

F = max. admissible load (daN/m)

L = support distance (m)

Max. deflection (m) = L/200

CHARACTERISTICS

- strong
- usable inner height 127 mm, ideal for large diameter cables
- no further coupling holes are required if the cable ladder is cut
- no joiners are required to attach accessories such as bends, tees etc.
- rungs are perforated to enable efficient attachment of cables
- partition (I6SLOS110) can be fixed to the cable ladder with a sliding nut (I6PNP06) and pan head bolt (I6RB6.20).

TECHNICAL INFORMATION

Side walls are constructed from S profile with a return flange and are continuously perforated

- C-profile rungs are fixed at 250 mm intervals.
- rungs are mechanically attached to the side wall of the cable ladder.
- rungs are alternately placed with openings upwards and downwards.

Pickled and passivated.

I6DIG

Cover



Standard finish

Stainless Steel 316

HD	Reference	↑ mm	↔ mm	↔ mm	↔ mm	kg/m	📦	Stock	Unit
-	I6DIG200	15	223	0.80	2000	1.850	10		m
-	I6DIG300	15	323	0.80	2000	2.650	10		m
-	I6DIG400	15	423	1.25	2000	4.100	10		m
-	I6DIG500	15	523	1.25	2000	5.050	10		m
-	I6DIG600	15	623	1.25	2000	5.950	10		m

Fix with:

-	I6DKIG	-	-	-	-	0.030	20		piece
---	---------------	---	---	---	---	-------	----	--	-------

Covers with width > 400 mm are delivered with diagonal reinforcements.
Pickled and passivated/ Manufactured with protective film.

I6DKIG

Cover clamp



Number: 2 pieces per metre.

Standard finish

Stainless Steel 316

HD	Reference	↑ mm	↔ mm	↔ mm	↔ mm	kg/ piece	📦	Stock	Unit
-	I6DKIG	-			-	0.030	20		piece

To order per full packaging.
Included: Bolt I6B6.30
Pickled and passivated.

I6KLMZWABD

Distance bracket cover I6KLM/I6KLZ/I6KLW



Number: 2 pieces per metre.

Standard finish

Stainless Steel 316

HD	Reference	↑ mm	↔ mm	↔ mm	↔ mm	kg/ piece	📦	Stock	Unit
-	I6KLMZWABD	155	40		34	0.187	4		piece

Fix with:

-	I6DKIG	-	-	-	-	0.030	20		piece
---	---------------	---	---	---	---	-------	----	--	-------

To order per full packaging.
Pickled and passivated.

I6KLZB

Horizontal bend for I6KLZ



Radius 600 mm

Standard finish Stainless Steel 316

HD	Reference	↓ mm	↔ mm	↔ mm	↔ mm	kg/ piece	📦	Stock	Unit
-	I6KLZB200	150	208		-	7.705	1		piece
-	I6KLZB300	150	308		-	8.620	1		piece
-	I6KLZB400	150	408		-	9.543	1		piece
-	I6KLZB500	150	508		-	10.461	1		piece
-	I6KLZB600	150	608		-	11.381	1		piece

Fix with:

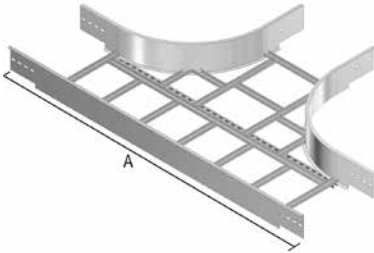
-	I6RBK12.20	-	-	M12	20	0.052	100		piece
-	I6M12	-	-	M12	-	0.017	100		piece
-	I6RO12	-	-	M12	-	0.006	100		piece

Minimum number bolts and nuts: 8 pieces.

Pickled and passivated.

I6KLZT

T-piece for I6KLZ



Radius 600 mm

Standard finish Stainless Steel 316

	200	300	400	500	600
A	1962	2062	2162	2262	2362

HD	Reference	↓ mm	↔ mm	↔ mm	↔ mm	kg/ piece	📦	Stock	Unit
-	I6KLZT200	150	208		-	13.017	1		piece
-	I6KLZT300	150	308		-	13.974	1		piece
-	I6KLZT400	150	408		-	14.931	1		piece
-	I6KLZT500	150	508		-	15.888	1		piece
-	I6KLZT600	150	608		-	16.843	1		piece

Fix with:

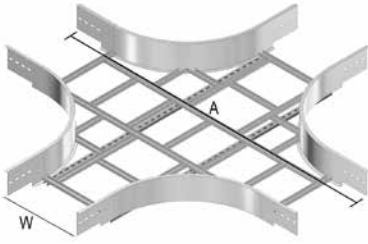
-	I6RBK12.20	-	-	M12	20	0.052	100		piece
-	I6M12	-	-	M12	-	0.017	100		piece
-	I6RO12	-	-	M12	-	0.006	100		piece

Minimum number bolts and nuts: 12 pieces.

Pickled and passivated.

I6KLZX

Cross-over for I6KLZ



Radius 600 mm

Standard finish Stainless Steel 316

	200	300	400	500	600
A	1962	2062	2162	2262	2362

HD	Reference	↕ mm	↔ mm	↔ mm	↔ mm	kg/ piece	📦	Stock	Unit
-	I6KLZX200	150	208		-	15.159	1		piece
-	I6KLZX300	150	308		-	18.004	1		piece
-	I6KLZX400	150	408		-	19.122	1		piece
-	I6KLZX500	150	508		-	20.191	1		piece
-	I6KLZX600	150	608		-	21.259	1		piece

Fix with:

-	I6RBK12.20	-	-	M12	20	0.052	100		piece
-	I6M12	-	-	M12	-	0.017	100		piece
-	I6RO12	-	-	M12	-	0.006	100		piece

Minimum number bolts and nuts: 16 pieces.

Pickled and passivated.

I6KLZVB

External riser for I6KLZ



Radius 600 mm

Standard finish Stainless Steel 316

HD	Reference	↕ mm	↔ mm	↔ mm	↔ mm	kg/ piece	📦	Stock	Unit
-	I6KLZVB200	150	208		-	6.174	1		piece
-	I6KLZVB300	150	308		-	6.502	1		piece
-	I6KLZVB400	150	408		-	6.831	1		piece
-	I6KLZVB500	150	508		-	7.160	1		piece
-	I6KLZVB600	150	608		-	7.489	1		piece

Fix with:

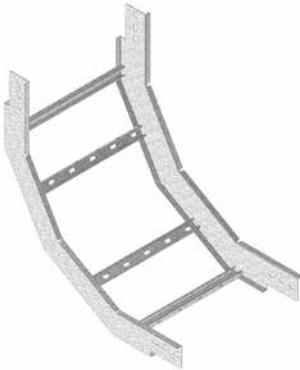
-	I6RBK12.20	-	-	M12	20	0.052	100		piece
-	I6M12	-	-	M12	-	0.017	100		piece
-	I6RO12	-	-	M12	-	0.006	100		piece

Minimum number bolts and nuts: 8 pieces.

Pickled and passivated.

I6KLZSB

Internal riser for I6KLZ



Radius 600 mm

Standard finish Stainless Steel 316

HD	Reference	↕ mm	↔ mm	↗ mm	↘ mm	kg/ piece	📦	Stock	Unit
-	I6KLZSB200	150	208		-	6.174	1		piece
-	I6KLZSB300	150	308		-	5.634	1		piece
-	I6KLZSB400	150	408		-	6.831	1		piece
-	I6KLZSB500	150	508		-	7.160	1		piece
-	I6KLZSB600	150	608		-	7.489	1		piece

Fix with:

-	I6RBK12.20	-	-	M12	20	0.052	100		piece
-	I6M12	-	-	M12	-	0.017	100		piece
-	I6RO12	-	-	M12	-	0.006	100		piece

Minimum number bolts and nuts: 8 pieces.

Pickled and passivated.

I6KLZVSB

Flexible (rising / low) bend for I6KLZ



Standard finish

Stainless Steel 316

HD	Reference	↕ mm	↔ mm	↗ mm	↘ mm	kg/ piece	📦	Stock	Unit
-	I6KLZVSB200	150	218		1135	13.680	1		piece
-	I6KLZVSB300	150	318		1135	14.000	1		piece
-	I6KLZVSB400	150	418		1135	14.320	1		piece
-	I6KLZVSB500	150	518		1135	14.640	1		piece
-	I6KLZVSB600	150	618		1135	14.964	1		piece

Fix with:

-	I6RBK12.20	-	-	M12	20	0.052	100		piece
-	I6M12	-	-	M12	-	0.017	100		piece
-	I6RO12	-	-	M12	-	0.006	100		piece

Minimum number bolts and nuts: 8 pieces.

Pickled and passivated.

I6KLZAH

Horizontal branch hook for I6KLZ



Slides in the C-opening of the sidewalls.

Standard finish

Stainless Steel 316

HD	Reference	↑ mm	↔ mm	→ ← mm	↔ mm	kg/ piece	📦	Stock	Unit
-	I6KLZAH	120	169		150	0.830	2		piece
Fix with:									
-	I6RBK12.20	-	-	M12	20	0.052	100		piece
-	I6M12	-	-	M12	-	0.017	100		piece
-	I6RO12	-	-	M12	-	0.006	100		piece

To order per full packaging.

Minimum number bolts and nuts: 4 pieces.

Pickled and passivated.

I6KLZAHV

Vertical branch hook for I6KLZ



Slides in the C-opening of the sidewalls .

Standard finish

Stainless Steel 316

HD	Reference	↑ mm	↔ mm	→ ← mm	↔ mm	kg/ piece	📦	Stock	Unit
-	I6KLZAHV	120	27		290	0.830	2		piece
Fix with:									
-	I6RBK12.20	-	-	M12	20	0.052	100		piece
-	I6M12	-	-	M12	-	0.017	100		piece
-	I6RO12	-	-	M12	-	0.006	100		piece

To order per full packaging.

Minimum number bolts and nuts: 3 pieces.

Pickled and passivated.

I6KLZDSH

Horizontal hinged joiner for I6KLZ



Slides in the C-opening of the sidewalls
Premounted

Standard finish Stainless Steel 316

HD	Reference	↓ mm	↔ mm	→ ← mm	↔ mm	kg/ piece	📦	Stock	Unit
-	I6KLZDSH	120	25		330	0.800	2		piece

Fix with:

-	I6RBK12.20	-	-	M12	20	0.052	100		piece
-	I6M12	-	-	M12	-	0.017	100		piece
-	I6RO12	-	-	M12	-	0.006	100		piece

To order per full packaging.
Minimum number bolts and nuts: 4 pieces.
Pickled and passivated.

I6KLZDSV

Vertical hinged joiner for I6KLZ



Premounted with B10.20

Standard finish Stainless Steel 316

HD	Reference	↓ mm	↔ mm	→ ← mm	↔ mm	kg/ piece	📦	Stock	Unit
-	I6KLZDSV	120	20		434	1.540	2		piece

Fix with:

-	I6RBK12.20	-	-	M12	20	0.052	100		piece
-	I6M12	-	-	M12	-	0.017	100		piece
-	I6RO12	-	-	M12	-	0.006	100		piece

To order per full packaging.
Minimum number bolts and nuts: 4 pieces.
Pickled and passivated.

I6KLZVST

Floor support for I6KLZ



Standard finish

Stainless Steel 316

HD	Reference	↑ mm	↔ mm	→ ← mm	↔ mm	kg/ piece	📦	Stock	Unit
-	I6KLZVST	120	125		150	0.770	2		piece
Fix with:									
-	I6RBK12.20	-	-	M12	20	0.052	100		piece
-	I6M12	-	-	M12	-	0.017	100		piece
-	I6RO12	-	-	M12	-	0.006	100		piece

To order per full packaging.
Minimum number bolts and nuts: 2 pieces.
Pickled and passivated.

I6KLZVS

Reducing plate for I6KLZ



Max. reduction of 300mm

Standard finish

Stainless Steel 316

HD	Reference	↑ mm	↔ mm	→ ← mm	↔ mm	kg/ piece	📦	Stock	Unit
-	I6KLZVS	120	20		500	1.260	1		piece
Fix with:									
-	I6RBK12.20	-	-	M12	20	0.052	100		piece
-	I6M12	-	-	M12	-	0.017	100		piece
-	I6RO12	-	-	M12	-	0.006	100		piece

Minimum number bolts and nuts: 4 pieces.
Pickled and passivated.

I6KLMZWAB

Distance bracket for I6KLM/I6KLZ/I6KLW



Used for vertical mounting of the cable ladder.

Standard finish

Stainless Steel 316

HD	Reference	↑ mm	↔ mm	→ ← mm	↔ mm	kg/ piece	📦	Stock	Unit
-	I6KLMZWAB	170	50		61	0.304	4		piece
Fix with:									
-	I6RBK12.20	-	-	M12	20	0.052	100		piece
-	I6M12	-	-	M12	-	0.017	100		piece
-	I6RO12	-	-	M12	-	0.006	100		piece

To order per full packaging.
Minimum number bolts and nuts: 1 pieces.
Pickled and passivated.

I6KLZKP

Joiner for I6KLZ



Slides in the C-opening of the sidewalls

Standard finish Stainless Steel 316

HD	Reference	↓ mm	↔ mm	↔ mm	↔ mm	kg/ piece	📦	Stock	Unit
-	I6KLZKP	121	25		600	1.490	1		piece
Fix with:									
-	I6RBK12.20	-	-	M12	20	0.052	100		piece
-	I6M12	-	-	M12	-	0.017	100		piece
-	I6RO12	-	-	M12	-	0.006	100		piece

Minimum number bolts and nuts: 4 pieces.

Pickled and passivated.

I6KLMZWBK

Bracket clamp for I6KLM/I6KLZ/I6KLW



For fixing the cable ladder on the wall bracket.

Number: 2 per bracket

Standard finish Stainless Steel 316

HD	Reference	↓ mm	↔ mm	↔ mm	↔ mm	kg/ piece	📦	Stock	Unit
-	I6KLMZWBK25	20	25		-	0.051	20		piece
-	I6KLMZWBK40	20	40		-	0,125	20	X	piece

To order per full packaging.

I6KLMZWBK25: Included: Bolt I6B6.20 and nuts I6RM6

Pickled and passivated.

DOPKLZ

End cap for KLZ



Color Yellow

Standard finish Polyvinyl chloride

HD	Reference	↓ mm	↔ mm	↔ mm	↔ mm	kg/ piece	📦	Stock	Unit
-	DOPKLZ	150			-	0.038	12		piece

To order per full packaging.

I6SLOS

Bolt-in partition



Standard finish

Stainless Steel 316

HD	Reference	↑ mm	↔ mm	→ ← mm	↔ mm	kg/m	📦	Stock	Unit
-	I6SLOS110	110			3000	0.820	3		m
Fix with:									
-	I6RB6.20	-	-	M6	20	0.006	100		piece

Fixing set: 1 per meter.

Manufactured with protective film.

I6KSF

Cable Ladder Food and Pharma

Closed tubular tube girders.
Rounded corner profile.

Usable inner height 28 mm

Rung distance 250 mm

Standard finish Stainless Steel 316

HD	Reference	↑ mm	↔ mm	→ ← mm	↔ mm	kg/m	📦	Stock	Unit
-	I6KSF200	60	200		6000	1.968	6		m
-	I6KSF300	60	300		6000	2.951	6		m
-	I6KSF400	60	400		6000	3.935	6		m
-	I6KSF600	60	600		6000	5.903	6		m
Fix with:									
-	I6KSFKP	-	-	-	-	-	-	-	-

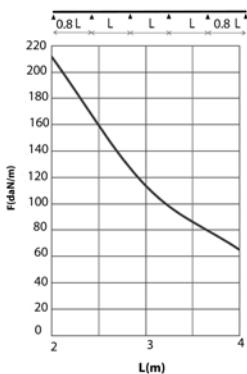
LOAD DIAGRAM

This diagram illustrates the permissible uniformly distributed horizontal loads applied to multiple supports. They comply with IEC 61537 par 10.3.3 test type III with connection to 1/5 of the span.

F = max. admissible load (daN/m)

L = support distance (m)

Max. deflection (m) = L/100



The technical information for this product can be found at the end of this chapter.

CHARACTERISTICS

Ladder for food en pharmaceutical applications.

Special rungs to facilitate water evacuation.

TECHNICAL INFO

Side walls are constructed from tubular section 60 mm x 15 mm.

The rungs have a corner profile rounded off with a radius of 6mm at the top.

Rungs are fixed at 250 mm intervals.

Pickled and passivated.

I6KSFB

Horizontal bend for I6KSF



Radius 350 mm

Standard finish Stainless Steel 316

HD	Reference	↕ mm	↔ mm	↔ ← mm	↔↔ mm	kg/ piece	📦	Stock	Unit
-	I6KSFB200	60	200		-	3.118	1		piece
-	I6KSFB300	60	300		-	3.902	1		piece
-	I6KSFB400	60	400		-	4.686	1		piece
-	I6KSFB600	60	600		-	6.259	1		piece

Pickled and passivated.

I6KSFKP

Joiner for I6KSF



Standard finish Stainless Steel 316

HD	Reference	↕ mm	↔ mm	↔ ← mm	↔↔ mm	kg/ piece	📦	Stock	Unit
-	I6KSFKP	-			-	0.506	20		piece

To order per full packaging.
Including: 8x Hexagon head bolt I6B6.10 and 8x wide head nut I6RM6.
Manufactured with protective film.

I6KSFKK

Bracket clamp for I6KSF



Standard finish Stainless Steel 316

HD	Reference	↕ mm	↔ mm	↔ ← mm	↔↔ mm	kg/ piece	📦	Stock	Unit
-	I6KSFKK	-			-	0.041	20		piece

To order per full packaging.
Including: Hexagon head bolt I6B6.20 and wide head nut I6RM6.
Pickled and passivated.

DOPKS

End cap for HDKS



Color	yellow
Standard finish	Polyvinyl chloride

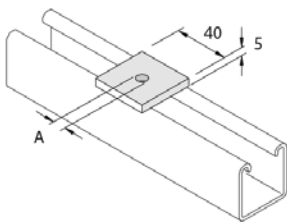
HD	Reference	↓ mm	↔ mm	↔ mm	↔ mm	kg/ piece	Stock	Unit
-	DOPKS	60			-	0.010	50	X piece

To order per full packaging.

I6P1019

Fitting Square 40x40 D9

Atkore™
Unistrut



Standard finish	Stainless Steel 316
-----------------	---------------------

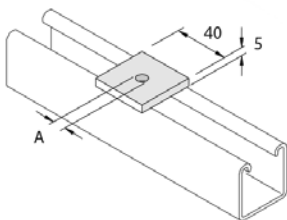
HD	Reference	↓ mm	↔ mm	↔ mm	↔ mm	kg/ piece	Stock	Unit
-	I6P1019	-	40		40	0.062	100	X piece

A=9, bolt M6/M8
To order per full packaging.

I6P1020

Fitting Square 40x40 D13

Atkore™
Unistrut



Standard finish	Stainless Steel 316
-----------------	---------------------

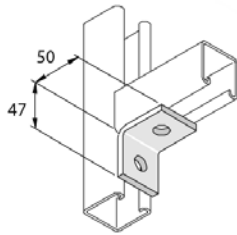
HD	Reference	↓ mm	↔ mm	↔ mm	↔ mm	kg/ piece	Stock	Unit
-	I6P1020	-	40		40	0.064	100	X piece

A=13, bolt M10/M12
To order per full packaging.

I6P1026

Fitting 90° angle L 2D14

Atkore™
Unistrut



Standard finish

Stainless Steel 316

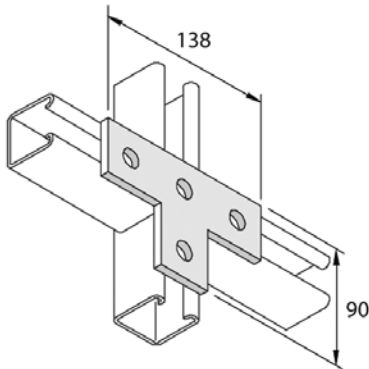
HD	Reference	↓ mm	↔ mm	↔ ↔ mm	↔ mm	kg/ piece	📦	Stock	Unit
-	I6P1026	47	41		50	0.142	20	X	piece

To order per full packaging.

Atkore™
Unistrut

I6P1031

Fitting flat T 4D14



Standard finish

Stainless Steel 316

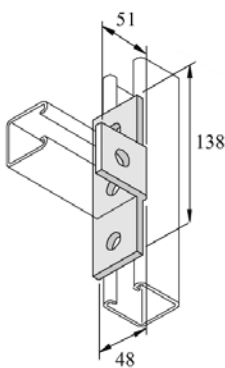
HD	Reference	↓ mm	↔ mm	↔ ↔ mm	↔ mm	kg/ piece	📦	Stock	Unit
-	I6P1031	90			138	0.385	10		piece

To order per full packaging.

Atkore™
Unistrut

I6P1033

Fitting 90° angle T 3D14



Standard finish

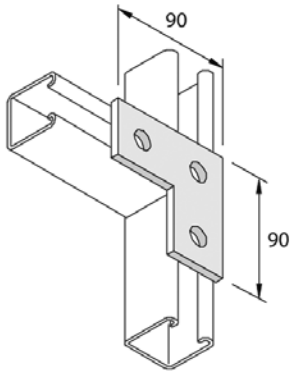
Stainless Steel 316

HD	Reference	↓ mm	↔ mm	↔ ↔ mm	↔ mm	kg/ piece	📦	Stock	Unit
-	I6P1033	51	48		138	0.385	10		piece

To order per full packaging.

I6P1036

Fitting flat L 3D14



Standard finish

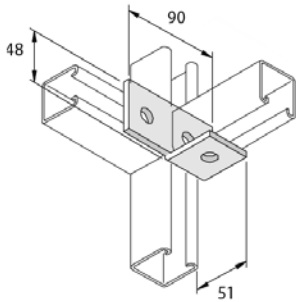
Stainless Steel 316

HD	Reference	↑ mm	↔ mm	→ ← mm	↔ mm	kg/ piece	📦	Stock	Unit
-	I6P1036	-	90		90	0.240	20	X	piece

To order per full packaging.

I6P1037

Fitting 90° angle Lb 3D14



Standard finish

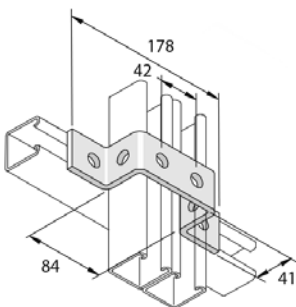
Stainless Steel 316

HD	Reference	↑ mm	↔ mm	→ ← mm	↔ mm	kg/ piece	📦	Stock	Unit
-	I6P1037	51	48		90	0.327	10		piece

To order per full packaging.

I6P1043

OM41 Fitting double profile 6D14



Standard finish

Stainless Steel 316

HD	Reference	↑ mm	↔ mm	→ ← mm	↔ mm	kg/ piece	📦	Stock	Unit
-	I6P1043	41	40		178	0.401	10		piece

To order per full packaging.

Atkore
Unistrut

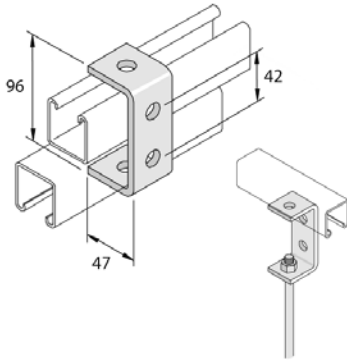
Atkore
Unistrut

Atkore
Unistrut

I6P1044

C96 Fitting 4D14

Atkore™
Unistrut



Standard finish

Stainless Steel 316

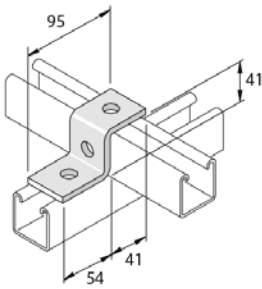
HD	Reference	↓ mm	↔ mm	↔ mm	↔ mm	kg/ piece	📦	Stock	Unit
-	I6P1044	96	40		47	0.287	10		piece

To order per full packaging.

I6P1045

Z41 Fitting single profile 3D14

Atkore™
Unistrut



Standard finish

Stainless Steel 316

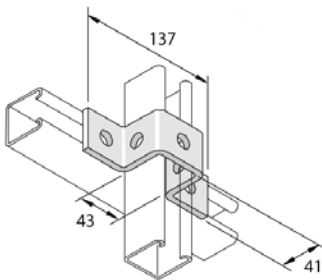
HD	Reference	↓ mm	↔ mm	↔ mm	↔ mm	kg/ piece	📦	Stock	Unit
-	I6P1045	41	40		95	0.210	20	X	piece

To order per full packaging.

I6P1047

OM41 Fitting single profile 5D14

Atkore™
Unistrut



Standard finish

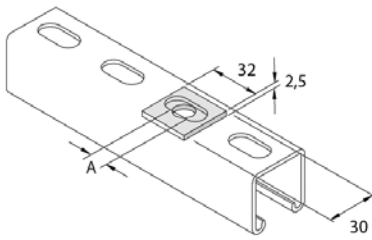
Stainless Steel 316

HD	Reference	↓ mm	↔ mm	↔ mm	↔ mm	kg/ piece	📦	Stock	Unit
-	I6P1047	137	40		41	0.294	10		piece

To order per full packaging.

I6P1063

Square washer 32x32



Standard finish

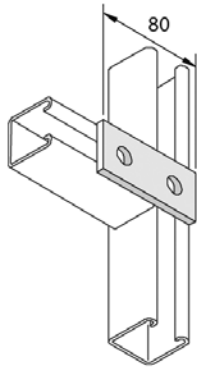
Stainless Steel 316

HD	Reference	↑ mm	↔ mm	↔ mm	↔ mm	kg/ piece	📦	Stock	Unit
-	I6P1063/06	-	30	2.50	32	0.019	100		piece
-	I6P1063/08	-	30	2.50	32	0.019	100		piece
-	I6P1063/10	-	30	2.50	32	0.019	200		piece
-	I6P1063/12	-	30	2.50	32	0.019	100		piece

I6P1063/06: A=8, bolt M6
 I6P1063/08: A=10, bolt M8
 I6P1063/10: A=12, bolt M10
 I6P1063/12: A=14, bolt M12
 To order per full packaging.

I6P1065

Fitting flat 2D14



Standard finish

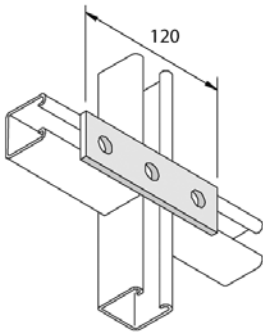
Stainless Steel 316

HD	Reference	↑ mm	↔ mm	↔ mm	↔ mm	kg/ piece	📦	Stock	Unit
-	I6P1065	-	40		89	0.129	20		piece

To order per full packaging.

I6P1066

Fitting flat 3D14



Standard finish

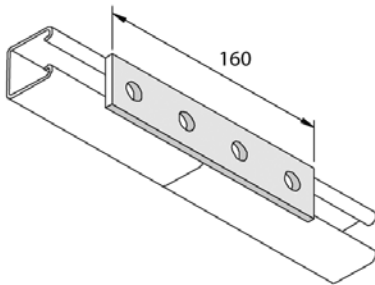
Stainless Steel 316

HD	Reference	↑ mm	↔ mm	↔ mm	↔ mm	kg/ piece	📦	Stock	Unit
-	I6P1066	-	40		120	0.174	20		piece

To order per full packaging.

I6P1067

Fitting flat 4D14



Standard finish

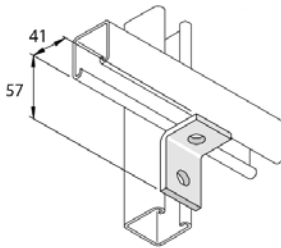
Stainless Steel 316

HD	Reference	↓ mm	↔ mm	↔ ← mm	↔ mm	kg/ piece	📦	Stock	Unit
-	I6P1067	-	40		160	0.258	20	X	piece

To order per full packaging.

I6P1068

Fitting 90° angle L 2D14



Standard finish

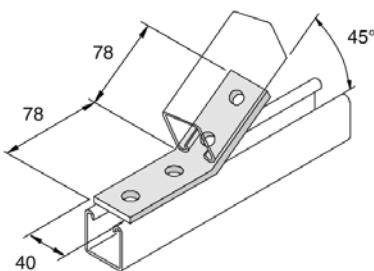
Stainless Steel 316

HD	Reference	↓ mm	↔ mm	↔ ← mm	↔ mm	kg/ piece	📦	Stock	Unit
-	I6P1068	41	40		57	0.142	20	X	piece

To order per full packaging.

I6P1074

Fitting angle 45° 4D14



Standard finish

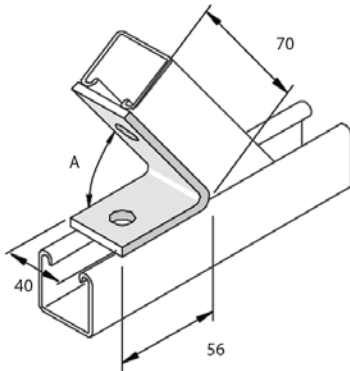
Stainless Steel 316

HD	Reference	↓ mm	↔ mm	↔ ← mm	↔ mm	kg/ piece	📦	Stock	Unit
-	I6P1074	-	40		-	0.258	20		piece

To order per full packaging.

I6P1186

Fitting angle 135° 2D14



Standard finish

Stainless Steel 316

HD	Reference	↕ mm	↔ mm	↔ mm	↔ mm	kg/ piece	📦	Stock	Unit
-	I6P1186	-				0.194	20		piece

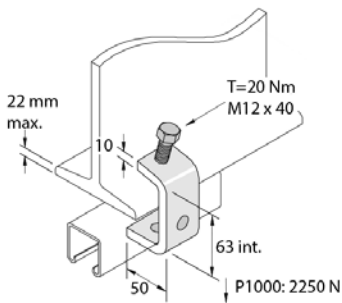
A = 135°

To order per full packaging.

Atkore™
 Unistrut

I6P1271

I-beam clamp C63



Standard finish

Stainless Steel 316

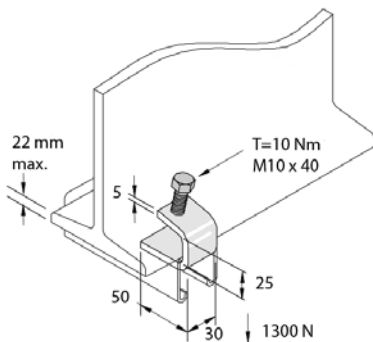
HD	Reference	↕ mm	↔ mm	↔ mm	↔ mm	kg/ piece	📦	Stock	Unit
-	I6P1271	63	40		50	0.431	10		piece

To order per full packaging.

Atkore™
 Unistrut

I6P1272

I-beam clamp C25



Standard finish

Stainless Steel 316

HD	Reference	↕ mm	↔ mm	↔ mm	↔ mm	kg/ piece	📦	Stock	Unit
-	I6P1272	25	30		50	0.123	20	X	piece

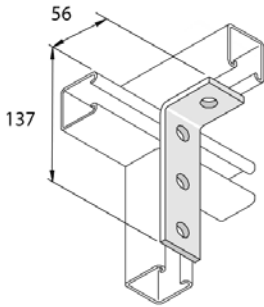
To order per full packaging.

Atkore™
 Unistrut

I6P1278

Fitting 90° angle L 4D14

Atkore™
Unistrut



Standard finish

Stainless Steel 316

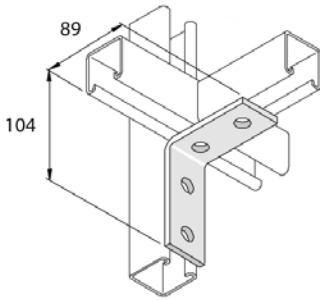
HD	Reference	↓ mm	↔ mm	↔ ↔ mm	↔ mm	kg/ piece	📦	Stock	Unit
-	I6P1278	56	40		137	0.297	20		piece

To order per full packaging.

I6P1325

Fitting 90° angle L 4D14

Atkore™
Unistrut



Standard finish

Stainless Steel 316

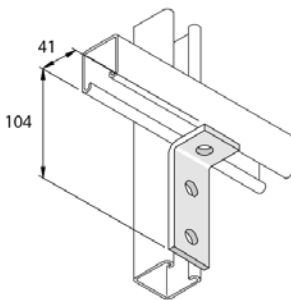
HD	Reference	↓ mm	↔ mm	↔ ↔ mm	↔ mm	kg/ piece	📦	Stock	Unit
-	I6P1325	89	40		104	0.297	10	X	piece

To order per full packaging.

I6P1326

Fitting 90° angle L 2D14

Atkore™
Unistrut



Standard finish

Stainless Steel 316

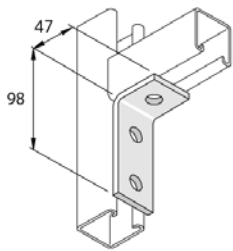
HD	Reference	↓ mm	↔ mm	↔ ↔ mm	↔ mm	kg/ piece	📦	Stock	Unit
-	I6P1326	41	40		104	0.219	20	X	piece

To order per full packaging.

I6P1346

Fitting 90° angle L 3D14

Atkore™
Unistrut



Standard finish

Stainless Steel 316

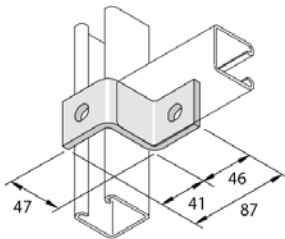
HD	Reference	↕ mm	↔ mm	→ ← mm	↔ mm	kg/ piece	📦	Stock	Unit
-	I6P1346	47	40		98	0.221	20		piece

To order per full packaging.

I6P1347

Z47 Fitting single profile 2D14

Atkore™
Unistrut



Standard finish

Stainless Steel 316

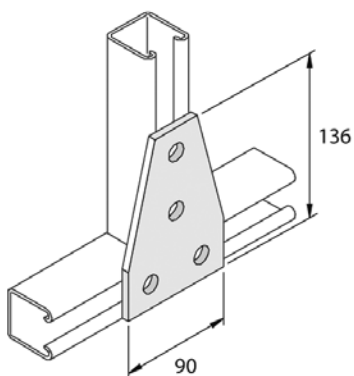
HD	Reference	↕ mm	↔ mm	→ ← mm	↔ mm	kg/ piece	📦	Stock	Unit
-	I6P1347	47	40		87	0.208	20		piece

To order per full packaging.

I6P1358

Fitting flat TR 4D14

Atkore™
Unistrut



Standard finish

Stainless Steel 316

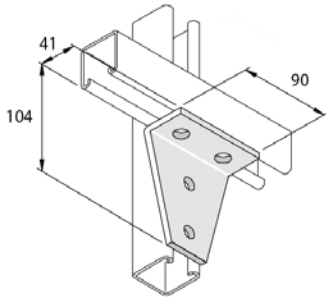
HD	Reference	↕ mm	↔ mm	→ ← mm	↔ mm	kg/ piece	📦	Stock	Unit
-	I6P1358	136			90	0.494	10		piece

To order per full packaging.

I6P1359

Fitting 90° angle LTR 4D14

Atkore
Unistrut



Standard finish

Stainless Steel 316

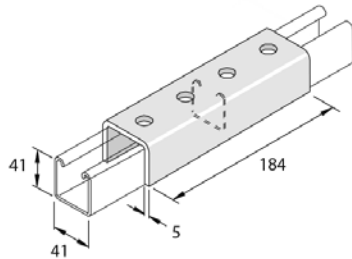
HD	Reference	↓ mm	↔ mm	↔ ↔ mm	↔ mm	kg/ piece	📦	Stock	Unit
-	I6P1359	104	41		90	0.494	10		piece

To order per full packaging.

Atkore
Unistrut

I6P1377

U184 Fitting 4D14



Standard finish

Stainless Steel 316

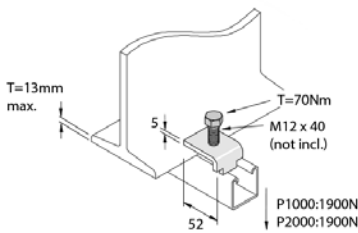
HD	Reference	↓ mm	↔ mm	↔ ↔ mm	↔ mm	kg/ piece	📦	Stock	Unit
-	I6P1377	46	53		184	0.918	10		piece

To order per full packaging.

Atkore
Unistrut

I6P1386

I-beam clamp notch M12



Standard finish

Stainless Steel 316

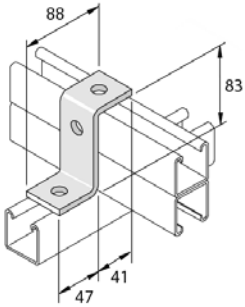
HD	Reference	↓ mm	↔ mm	↔ ↔ mm	↔ mm	kg/ piece	📦	Stock	Unit
-	I6P1386	-			52	0.114	20	X	piece

To order per full packaging.

I6P1453

Z83 Fitting double profile 3D14

Atkore™
Unistrut



Standard finish

Stainless Steel 316

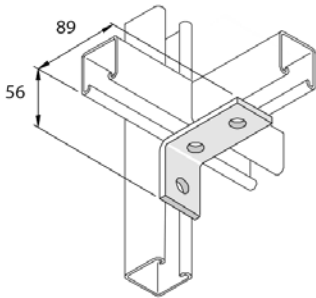
HD	Reference	↑ mm	↔ mm	→ ← mm	↔ mm	kg/ piece	📦	Stock	Unit
-	I6P1453	83	40		88	0.266	10		piece

To order per full packaging.

I6P1458

Fitting 90° angle L 3D14

Atkore™
Unistrut



Standard finish

Stainless Steel 316

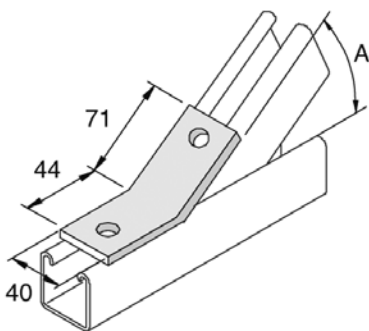
HD	Reference	↑ mm	↔ mm	→ ← mm	↔ mm	kg/ piece	📦	Stock	Unit
-	I6P1458	56	40		89	0.219	10		piece

To order per full packaging.

I6P1546

Fitting angle 45° 2D14

Atkore™
Unistrut



Standard finish

Stainless Steel 316

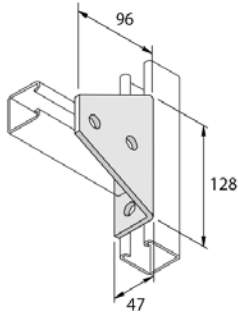
HD	Reference	↑ mm	↔ mm	→ ← mm	↔ mm	kg/ piece	📦	Stock	Unit
-	I6P1546	-	40		-	0.194	10		piece

To order per full packaging.

I6P1727

Fitting 90° angle LTR 4D14

Atkore™
Unistrut



Standard finish

Stainless Steel 316

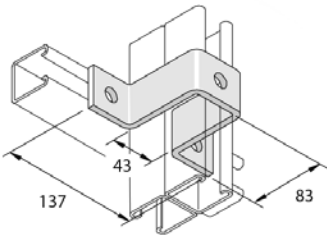
HD	Reference	↓ mm	↔ mm	↔ ↔ mm	↔ mm	kg/ piece	📦	Stock	Unit
-	I6P1727	96	47		128	0.698	10		piece

To order per full packaging.

I6P1737

OM83 Fitting double profile 3D14

Atkore™
Unistrut



Standard finish

Stainless Steel 316

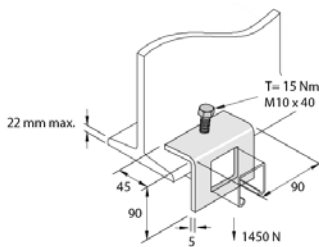
HD	Reference	↓ mm	↔ mm	↔ ↔ mm	↔ mm	kg/ piece	📦	Stock	Unit
-	I6P1737	83	40		137	0.447	10		piece

To order per full packaging.

I6P1796

I-beam clamp S41

Atkore™
Unistrut



Standard finish

Stainless Steel 316

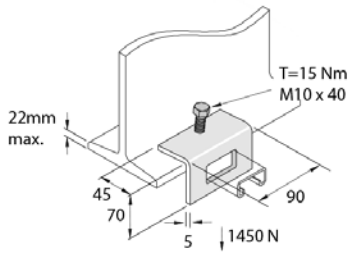
HD	Reference	↓ mm	↔ mm	↔ ↔ mm	↔ mm	kg/ piece	📦	Stock	Unit
-	I6P1796	90	45		90	0.465	10		piece

To order per full packaging.

I6P1796-A

I-beam clamp S21

Atkore
Unistrut



Standard finish

Stainless Steel 316

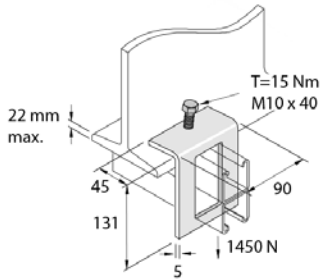
HD	Reference	↑ mm	↔ mm	→ ← mm	↔ mm	kg/ piece	📦	Stock	Unit
-	I6P1796-A	70	45		90	0.385	10		piece

To order per full packaging.

I6P1796-B

I-beam clamp S83

Atkore
Unistrut



Standard finish

Stainless Steel 316

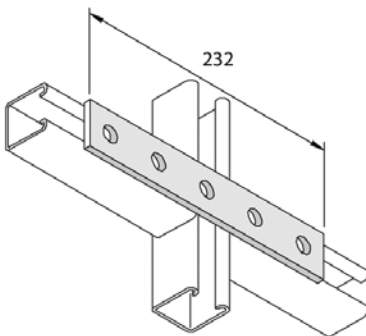
HD	Reference	↑ mm	↔ mm	→ ← mm	↔ mm	kg/ piece	📦	Stock	Unit
-	I6P1796-B	132	45		90	0.609	10		piece

To order per full packaging.

I6P1941

Fitting flat 5D14

Atkore
Unistrut



Standard finish

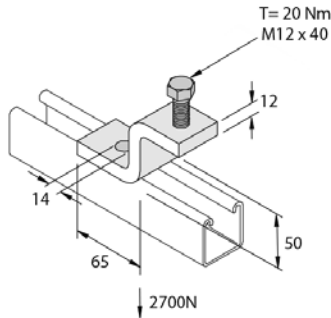
Stainless Steel 316

HD	Reference	↑ mm	↔ mm	→ ← mm	↔ mm	kg/ piece	📦	Stock	Unit
-	I6P1941	-	40		232	0.375	20		piece

To order per full packaging.

I6P1983

Z50 Clamp



Standard finish

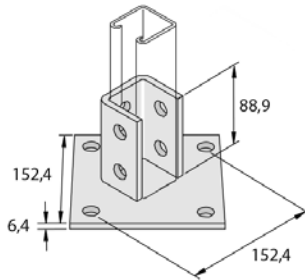
Stainless Steel 316

HD	Reference	↓ mm	↔ mm	↔ mm	↔ mm	kg/ piece	📦	Stock	Unit
-	I6P1983	50	40		-	0.389	10		piece

To order per full packaging.

I6P2072A

Base plate 152 single profile 10D14



Standard finish

Stainless Steel 316

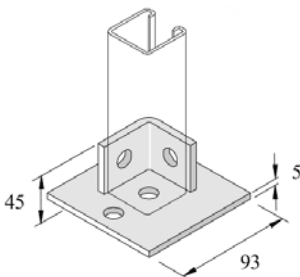
HD	Reference	↓ mm	↔ mm	↔ mm	↔ mm	kg/ piece	📦	Stock	Unit
-	I6P2072A	95	152		152	1.701	1	X	piece

To order per full packaging.

Pickled and passivated.

I6P2072-S1

Assembly accessory



Standard finish

Stainless Steel 316

HD	Reference	↓ mm	↔ mm	↔ mm	↔ mm	kg/ piece	📦	Stock	Unit
-	I6P2072-S1	45	93		93	0.473	10	X	piece

To order per full packaging.

Pickled and passivated.

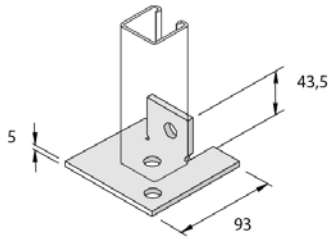
I6P2072-S2

Assembly accessory

Atkore™
Unistrut

Standard finish

Stainless Steel 316



HD	Reference	↑ mm	↔ mm	→ ← mm	↔ mm	kg/ piece	📦	Stock	Unit
-	I6P2072-S2	44	93		93	0.349	10		piece

To order per full packaging.

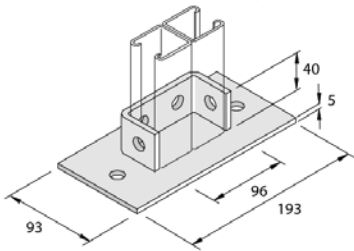
I6P2073

Base plate 193 double profile 6D14

Atkore™
Unistrut

Standard finish

Stainless Steel 316



HD	Reference	↑ mm	↔ mm	→ ← mm	↔ mm	kg/ piece	📦	Stock	Unit
-	I6P2073	45	93		193	0.977	5		piece

To order per full packaging.

Pickled and passivated.

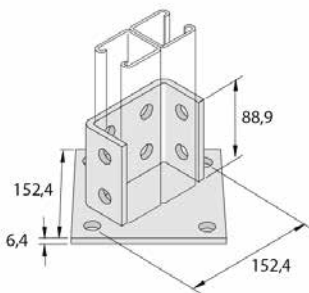
I6P2073A

Base plate 152 double profile 12D14

Atkore™
Unistrut

Standard finish

Stainless Steel 316



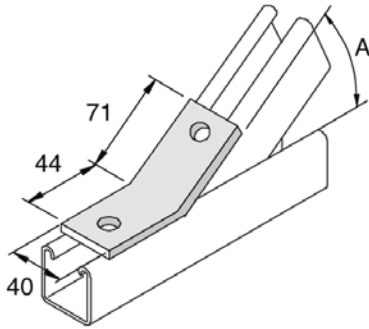
HD	Reference	↑ mm	↔ mm	→ ← mm	↔ mm	kg/ piece	📦	Stock	Unit
-	I6P2073A	95	152		152	1.801	1		piece

To order per full packaging.

Pickled and passivated.

I6P2095

Fitting angle 75° 2D14



Standard finish

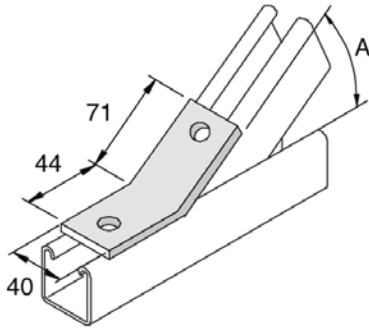
Stainless Steel 316

HD	Reference	↓ mm	↔ mm	↔ ← mm	↔ mm	kg/ piece	📦	Stock	Unit
-	I6P2095	-	40		-	0.194	10		piece

To order per full packaging.

I6P2097

Fitting angle 60° 2D14



Standard finish

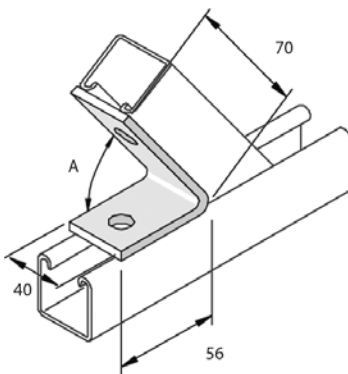
Stainless Steel 316

HD	Reference	↓ mm	↔ mm	↔ ← mm	↔ mm	kg/ piece	📦	Stock	Unit
-	I6P2097	-	40		-	0.194	10		piece

To order per full packaging.

I6P2106

Fitting angle 105° 2D14



Standard finish

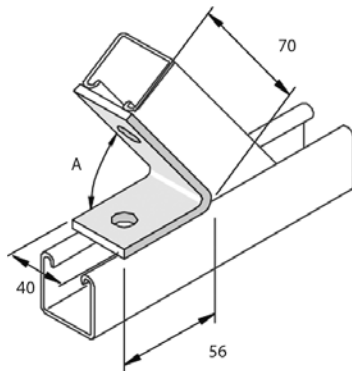
Stainless Steel 316

HD	Reference	↓ mm	↔ mm	↔ ← mm	↔ mm	kg/ piece	📦	Stock	Unit
-	I6P2106	-	40		-	0.194	10		piece

To order per full packaging.

I6P2108

Fitting angle 120° 2D14



Standard finish

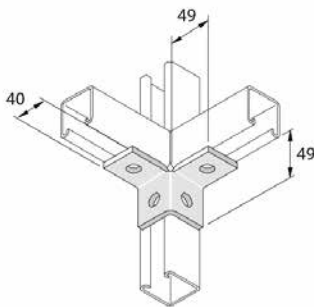
Stainless Steel 316

HD	Reference	↑ mm	↔ mm	→ ← mm	↔ mm	kg/ piece	📦	Stock	Unit
-	I6P2108	-	40		-	0.194	20		piece

To order per full packaging.

I6P2223

Wing fitting 2L 4D14



Standard finish

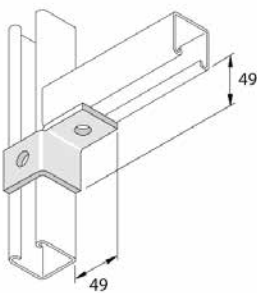
Stainless Steel 316

HD	Reference	↑ mm	↔ mm	→ ← mm	↔ mm	kg/ piece	📦	Stock	Unit
-	I6P2223	49	89		89	0.273	10		piece

To order per full packaging.

I6P2341R

Wing fitting LR 2D14



Standard finish

Stainless Steel 316

HD	Reference	↑ mm	↔ mm	→ ← mm	↔ mm	kg/ piece	📦	Stock	Unit
-	I6P2341R	49	40		89	0.209	10		piece

To order per full packaging.

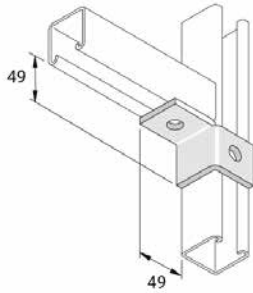
Atkore
 Unistrut

Atkore
 Unistrut

Atkore
 Unistrut

I6P2341L

Wing fitting LL 2D14



Standard finish

Stainless Steel 316

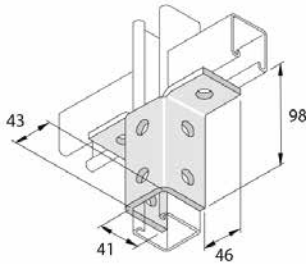
HD	Reference	↓ mm	↔ mm	↔ ↔ mm	↔ mm	kg/ piece	📦	Stock	Unit
-	I6P2341L	49	40		89	0.209	10		piece

Atkore
Unistrut

To order per full packaging.

I6P2346

Wing fitting U 8D14



Standard finish

Stainless Steel 316

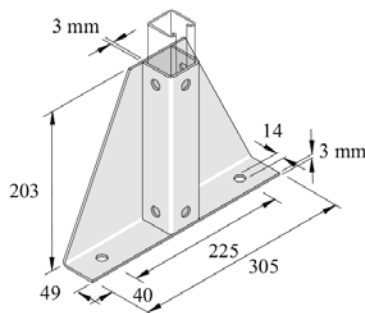
HD	Reference	↓ mm	↔ mm	↔ ↔ mm	↔ mm	kg/ piece	📦	Stock	Unit
-	I6P2346	98	41		137	0.549	10	X	piece

Atkore
Unistrut

To order per full packaging.

I6P2348S1

Assembly accessory



Standard finish

Stainless Steel 316

HD	Reference	↓ mm	↔ mm	↔ ↔ mm	↔ mm	kg/ piece	📦	Stock	Unit
-	I6P2348S1	203	49		305	1.915	1	X	piece

Atkore
Unistrut

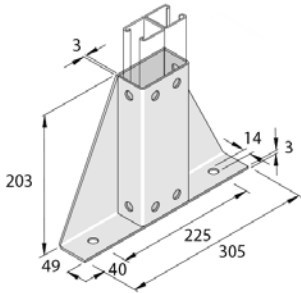
To order per full packaging.

Pickled and passivated.

I6P2348S2

Assembly accessory

Atkore™
Unistrut



Standard finish

Stainless Steel 316

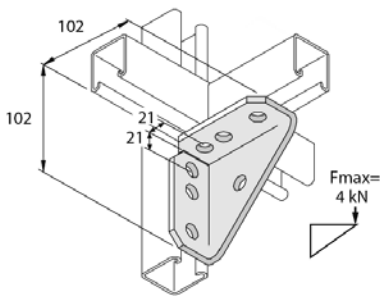
HD	Reference	↓ mm	↔ mm	↔ mm	↔ mm	kg/ piece	📦	Stock	Unit
-	I6P2348S2	203	49		305	2.104	15		piece

To order per full packaging.
Pickled and passivated.

I6P2484

Fitting 90° angle TR 7D14

Atkore™
Unistrut



Standard finish

Stainless Steel 316

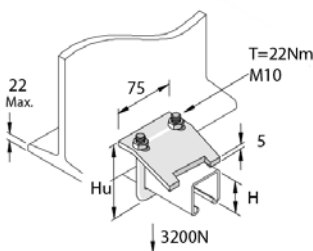
HD	Reference	↓ mm	↔ mm	↔ mm	↔ mm	kg/ piece	📦	Stock	Unit
-	I6P2484	102	47		102	0.466	10		piece

To order per full packaging.

I6P2785

Beam Fitting H21-41

Atkore™
Unistrut



Standard finish

Stainless Steel 316

HD	Reference	↓ mm	↔ mm	↔ mm	↔ mm	kg/ piece	📦	Stock	Unit
-	I6P2785	86			75	0.308	20	X	piece

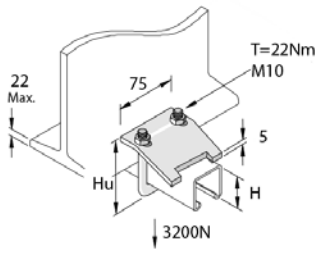
H=21-41 mm

To order per full packaging.

I6P2786

Beam Fitting H62-83

Atkore
Unistrut



Standard finish

Stainless Steel 316

HD	Reference	↓ mm	↔ mm	↔ mm	↔ mm	kg/ piece	📦	Stock	Unit
-	I6P2786	127			75	0.348	20		piece

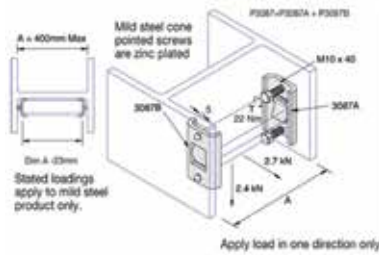
H=62-83 mm

To order per full packaging.

I6P3087

Beam clamp internal

Atkore
Unistrut



Standard finish

Stainless Steel 316

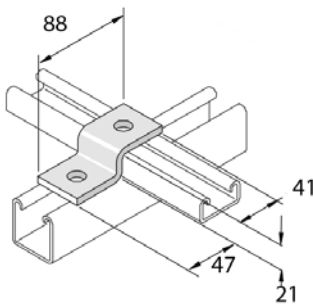
HD	Reference	↓ mm	↔ mm	↔ mm	↔ mm	kg/ piece	📦	Stock	Unit
-	I6P3087	-			-	0.670	10		piece

To order per full packaging.

I6P4045

Z21 Fitting single profile 2D14

Atkore
Unistrut



Standard finish

Stainless Steel 316

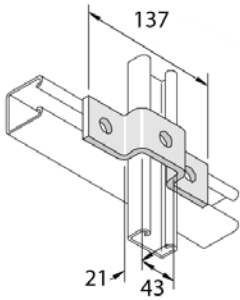
HD	Reference	↓ mm	↔ mm	↔ mm	↔ mm	kg/ piece	📦	Stock	Unit
-	I6P4045	21	40		88	0.164	20		piece

To order per full packaging.

I6P4047

OM21 Fitting 3D14

Atkore
Unistrut



Standard finish

Stainless Steel 316

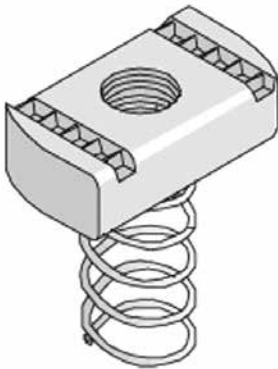
HD	Reference	↑ mm	↔ mm	→ ← mm	↔ mm	kg/ piece	📦	Stock	Unit
-	I6P4047	21	40		137	0.263	10		piece

To order per full packaging.

I6PNL

Sliding nut for supporting profile

Atkore
Unistrut



Standard finish

Stainless Steel 316

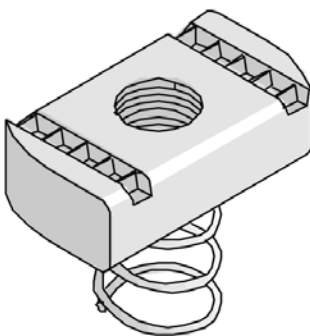
HD	Reference	↑ mm	↔ mm	→ ← mm	↔ mm	kg/ piece	📦	Stock	Unit
-	I6PNL06	-		M6	-	0.028	100	X	piece
-	I6PNL08	-		M8	-	0.035	100		piece
-	I6PNL10	-		M10	-	0.038	100	X	piece
-	I6PNL12A	-		M12	-	0.040	100		piece

To order per full packaging.

I6PNS

Sliding nut for supporting profile

Atkore
Unistrut



Standard finish

Stainless Steel 316

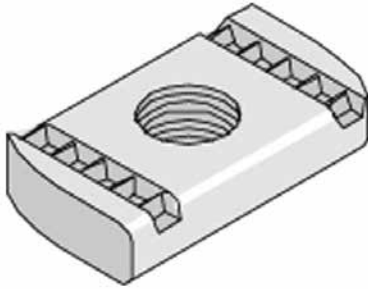
HD	Reference	↑ mm	↔ mm	→ ← mm	↔ mm	kg/ piece	📦	Stock	Unit
-	I6PNS06	-		M6	-	0.028	100		piece
-	I6PNS08	-		M8	-	0.029	100		piece
-	I6PNS10	-		M10	-	0.038	100		piece
-	I6PNS12A	-		M12	-	0.036	100		piece

To order per full packaging.

I6PNP06-I6PNP12A

Sliding nut for supporting profile

Atkore
Unistrut



Standard finish

Stainless Steel 316

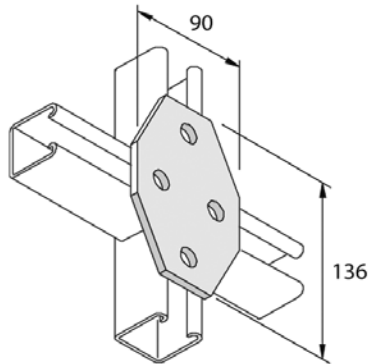
HD	Reference	↓ mm	↔ mm	↗ mm	↔ mm	kg/ piece	📦	Stock	Unit
-	I6PNP06	-		M6	-	0.028	100	X	piece
-	I6PNP08	-		M8	-	0.034	100	X	piece
-	I6PNP10	-		M10	-	0.038	100	X	piece
-	I6PNP12A	-		M12	-	0.038	100	X	piece

To order per full packaging.

Atkore
Unistrut

I6P1580

Fitting flat X 4D14



Standard finish

Stainless Steel 316

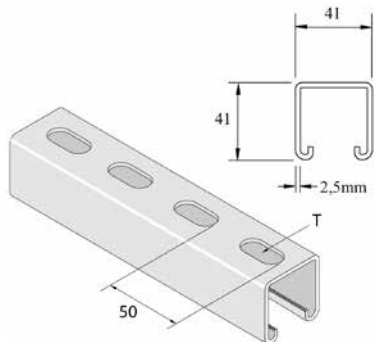
HD	Reference	↓ mm	↔ mm	↗ mm	↔ mm	kg/ piece	📦	Stock	Unit
-	I6P1580	-	90		136	0.494	10		piece

To order per full packaging.

Atkore
Unistrut

I4P1000T

Assembly profile



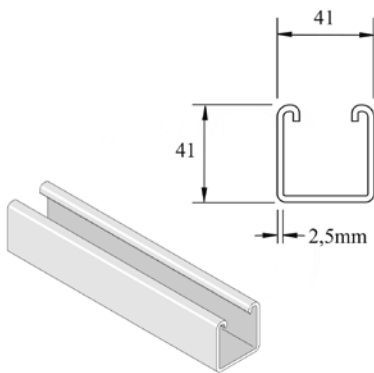
Standard finish

Stainless Steel 304

HD	Reference	↓ mm	↔ mm	↗ mm	↔ mm	kg/m	📦	Stock	Unit
-	I4P1000TX6	41	41	2.50	6000	2.730	300	X	m
-	I4P1000TX3	41	41	2.50	3000	2.730	150	X	m

I6P1000

Assembly profile



Standard finish

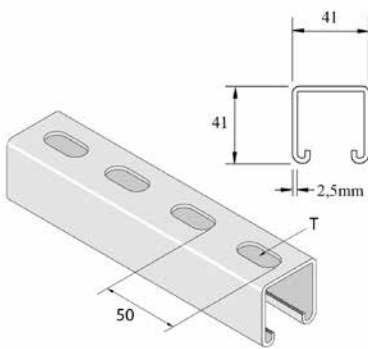
Stainless Steel 316

HD	Reference	↑ mm	↔ mm	↗ mm	↘ mm	kg/m	📦	Stock	Unit
-	I6P1000X6	41	41	2.50	6000	2.880	300	X	m
-	I6P1000X3	41	41	2.50	3000	2.880	150		m

Atkore™
Unistrut

I6P1000T

Assembly profile



Standard finish

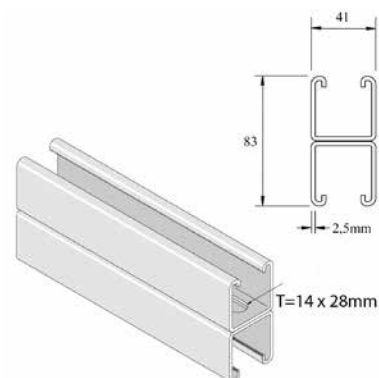
Stainless Steel 316

HD	Reference	↑ mm	↔ mm	↗ mm	↘ mm	kg/m	📦	Stock	Unit
-	I6P1000TX6	41	41	2.50	6000	2.730	300	X	m
-	I6P1000TX3	41	41	2.50	3000	2.730	150	X	m

Atkore™
Unistrut

I6P1001TX6

Assembly profile



Standard finish

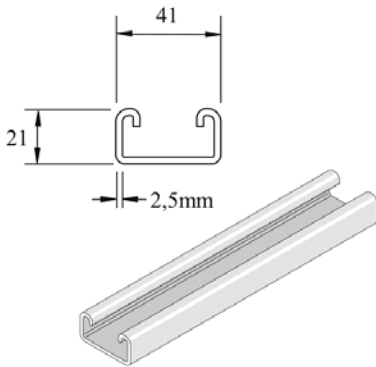
Stainless Steel 316

HD	Reference	↑ mm	↔ mm	↗ mm	↘ mm	kg/m	📦	Stock	Unit
-	I6P1001TX6	83	41	2.50	6000	5.470	150	X	m

Atkore™
Unistrut

I6P3300

Assembly profile



Standard finish

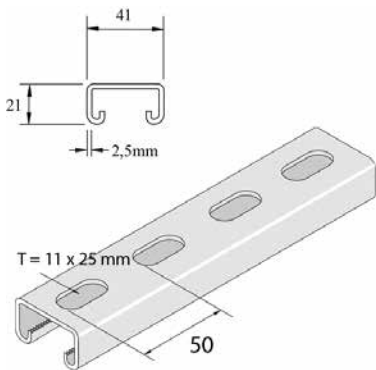
Stainless Steel 316

HD	Reference	↓ mm	↔ mm	↔ mm	↔ mm	kg/m	📦	Stock	Unit
-	I6P3300X6	21	41	2.50	6000	1.910	300	X	m

Atkore
Unistrut

I4P3300T10

Assembly profile



Standard finish

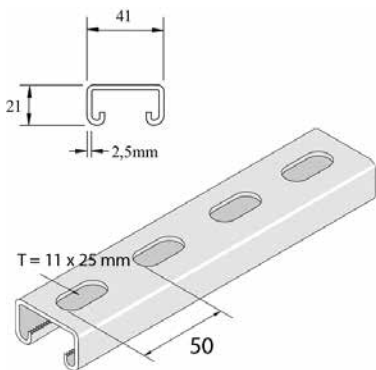
Stainless Steel 304

HD	Reference	↓ mm	↔ mm	↔ mm	↔ mm	kg/m	📦	Stock	Unit
-	I4P3300T10X6	21	41	2.50	6000	1.760	300	X	m

Atkore
Unistrut

I6P3300T10

Assembly profile



Standard finish

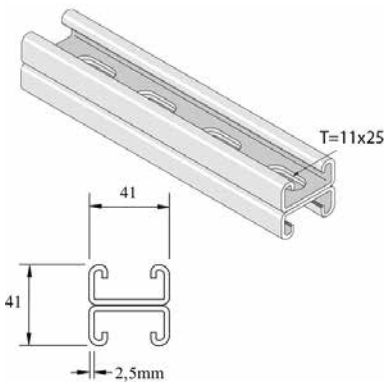
Stainless Steel 316

HD	Reference	↓ mm	↔ mm	↔ mm	↔ mm	kg/m	📦	Stock	Unit
-	I6P3300T10X3	21	41	2.50	3000	1.760	150		m
-	I6P3300T10X6	21	41	2.50	6000	1.760	300	X	m

Atkore
Unistrut

I6P3301T10

Assembly profile



Standard finish

Stainless Steel 316

HD	Reference	↓ mm	↔ mm	↔ mm	↔ mm	kg/m	📦	Stock	Unit
-	I6P3301T10X6	41	41	2.50	6000	3.530	150		m

I6PB

Ceiling bracket



Standard finish

Stainless Steel 316

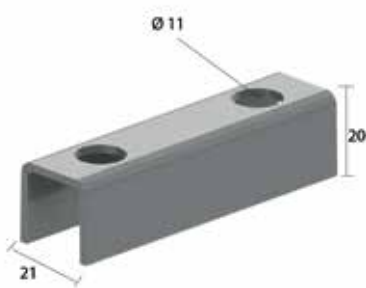
HD	Reference	↓ mm	↔ mm	↔ mm	↔ mm	kg/ piece	📦	Stock	Unit
-	I6PB	70			-	0.100	20	X	piece

To order per full packaging.

Pickled and passivated.

I4VOMEGA

Joining piece



Standard finish

Stainless Steel 304

HD	Reference	↓ mm	↔ mm	↔ mm	↔ mm	kg/ piece	📦	Stock	Unit
-	I4VOMEGA	-			-	0.060	10		piece

To order per full packaging.

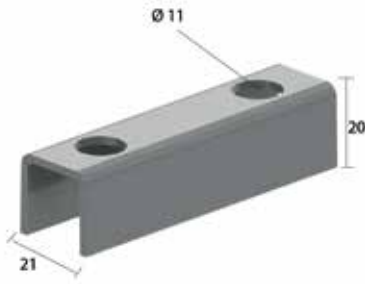
For wall mounting 1 piece.

For double mounting 2 pieces, back to back.

Pickled and passivated.

I6VOMEGA

Joining piece



Standard finish

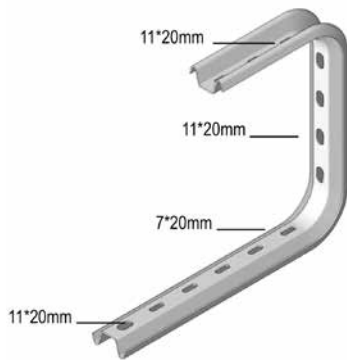
Stainless Steel 316

HD	Reference	↓ mm	↔ mm	↔ mm	↔ mm	kg/ piece	📦	Stock	Unit
-	I6VOMEGA	-				0.060	10	X	piece

To order per full packaging.
For wall mounting 1 piece.
For double mounting 2 pieces, back to back.
Pickled and passivated.

I4COMEGA290

Open suspension bracket



Useful for direct mounting to the ceiling or with threaded rod I6TIM 8 or I6TIM10.

Standard finish

Stainless Steel 304

	Max. load (in daN)
100	70
150	60
200	60
300	50
400	50

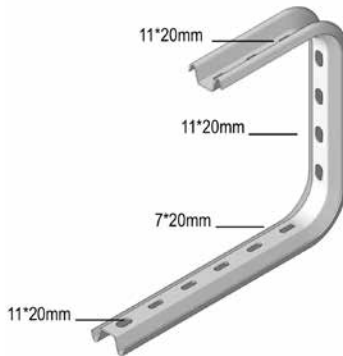
HD	Reference	↓ mm	↔ mm	↔ mm	↔ mm	kg/ piece	📦	Stock	Unit
-	I4COMEGA290.100	290	145			0.520	12	X	piece
-	I4COMEGA290.150	290	195			0.560	12	X	piece
-	I4COMEGA290.200	290	245			0.620	12	X	piece
-	I4COMEGA290.300	290	345			0.820	6	X	piece
-	I4COMEGA290.400	290	445			0.930	6	X	piece

Fixing of the cable tray by I6VM6.20. Use the I4VOMEGA to avoid compression of the profile.

Pickled and passivated.

I6COMEGA290

Open suspension bracket



Useful for direct mounting to the ceiling or with threaded rod I6TIM8 or I6TIM10.

Standard finish

Stainless Steel 316

	Max. load (in daN)
100	70
150	60
200	60
300	50
400	50

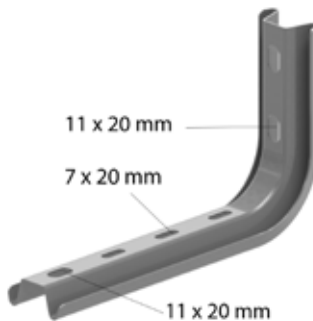
HD	Reference	↑ mm	↔ mm	↔ mm	↔ mm	kg/ piece	📦	Stock	Unit
-	I6COMEGA290.100	290	145		-	0.520	12	X	piece
-	I6COMEGA290.150	290	195		-	0.560	12	X	piece
-	I6COMEGA290.200	290	245		-	0.620	12	X	piece
-	I6COMEGA290.300	290	345		-	0.820	6	X	piece
-	I6COMEGA290.400	290	445		-	0.930	6	X	piece

Fixing of the cable tray by I6VM6.20. Use the I6VOMEGA to avoid compression of the profile.

Pickled and passivated.

I4LOMEGA150

Bracket / Ceiling profile



Standard finish

Stainless Steel 304

	Max. load (in daN)
100	110
150	100
200	90
300	70
400	50
500	40
600	30

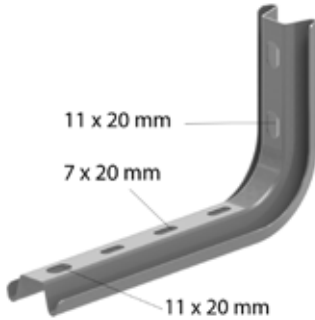
HD	Reference	↑ mm	↔ mm	↔ mm	↔ mm	kg/ piece	📦	Stock	Unit
-	I4LOMEGA150.100	145	145		-	0.300	12	X	piece
-	I4LOMEGA150.150	145	195		-	0.320	12	X	piece
-	I4LOMEGA150.200	145	245		-	0.340	12	X	piece
-	I4LOMEGA150.300	145	345		-	0.490	6	X	piece
-	I4LOMEGA150.400	145	445		-	0.540	6	X	piece
-	I4LOMEGA150.500	145	545		-	0.640	6	X	piece
-	I4LOMEGA150.600	145	645		-	0.770	6	X	piece

Use the I4VOMEGA to avoid compression of the profiles.

Pickled and passivated.

I6LOMEGA150

Bracket / Ceiling profile



Standard finish

Stainless Steel 316

	Max. load (in daN)
100	110
150	100
200	90
300	70
400	50
500	40
600	30

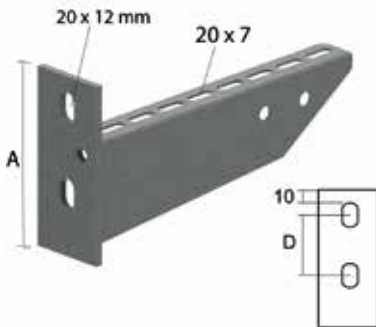
HD	Reference	↓ mm	↔ mm	→ ← mm	↔ mm	kg/ piece	📦	Stock	Unit
-	I6LOMEGA150.100	145	145		-	0.300	12	X	piece
-	I6LOMEGA150.150	145	195		-	0.320	12	X	piece
-	I6LOMEGA150.200	145	245		-	0.340	12	X	piece
-	I6LOMEGA150.300	145	345		-	0.490	6	X	piece
-	I6LOMEGA150.400	145	445		-	0.540	6	X	piece
-	I6LOMEGA150.500	145	545		-	0.640	6	X	piece
-	I6LOMEGA150.600	145	645		-	0.770	6	X	piece

Use the I6VOMEGA to avoid compression of the profiles.

Pickled and passivated.

I4WK

Welded bracket



For direct fixing on the wall or on ceiling profiles.

Standard finish

Stainless Steel 304

Width	Max. load (in daN)	A	D
100	360	98	38
150	300	102	42
200	240	106	46
300	250	114	54
400	260	122	62
500	220	130	70
600	180	138	78

HD	Reference	↓ mm	↔ mm	→ ← mm	↔ mm	kg/ piece	📦	Stock	Unit
-	I4WK100	98	117		-	0.300	24		piece
-	I4WK150	102	167		-	0.360	24		piece
-	I4WK200	106	217		-	0.430	12		piece
-	I4WK300	114	317		-	0.730	12		piece
-	I4WK400	122	417		-	0.880	6		piece
-	I4WK500	130	517		-	1.300	6		piece
-	I4WK600	138	617		-	1.600	6		piece

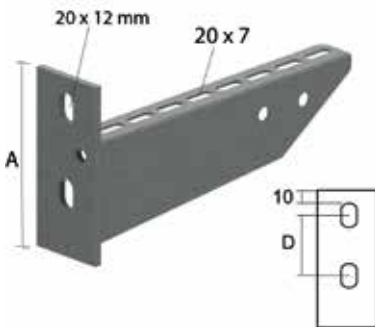
For fixing on the ceiling profile, the necessary fixing set is to be ordered separately : sliding nut I6PNP10 and bolt I6B10.20.

Max. load (in daN): Uniformly distributed load (UDL) over complete width of cantilever brackets.

Pickled and passivated.

I6WK

Welded bracket



For direct fixing on the wall or on ceiling profiles.

Standard finish

Stainless Steel 316

Width	Max. load (in daN)	A	D
100	360	98	38
150	300	102	42
200	240	106	46
300	250	114	54
400	260	122	62
500	220	130	70
600	180	138	78

HD	Reference	↑ mm	↔ mm	↔ mm	↔ mm	kg/ piece	📦	Stock	Unit
-	I6WK100	98	117		-	0.300	24	X	piece
-	I6WK150	102	167		-	0.360	24	X	piece
-	I6WK200	106	217		-	0.430	12	X	piece
-	I6WK300	114	317		-	0.730	12	X	piece
-	I6WK400	122	417		-	0.880	6	X	piece
-	I6WK500	130	517		-	1.300	6	X	piece
-	I6WK600	138	617		-	1.600	6	X	piece

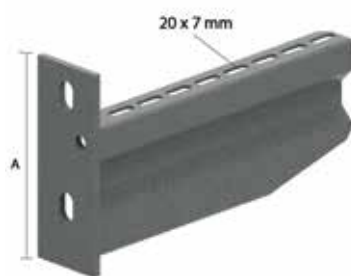
For fixing on the ceiling profile, the necessary fixing set is to be ordered separately : sliding nut I6PNP10 and bolt I6B10.20.

Max. load (in daN): Uniformly distributed load (UDL) over complete width of cantilever brackets.

Pickled and passivated.

I6WKM

Heavy welded bracket



For fixing on the wall and also on the ceiling profile.

Standard finish

Stainless Steel 316

HD	Reference	↑ mm	↔ mm	↔ mm	↔ mm	kg/ piece	📦	Stock	Unit
-	I6WKM200	175	225		-	0.652	12		piece
-	I6WKM300	175	325		-	0.878	6		piece
-	I6WKM400	175	425		-	1.853	6		piece

To order per full packaging.

Max. load (in daN): uniformly distributed over complete width of cantilever brackets.

Pickled and passivated.

I6WSU

Universal support bracket



For direct fixing on the wall

Standard finish Stainless Steel 316

	Max. load (in daN)
100	120
150	120
200	120
250	120
300	120
400	120
500	120
600	120

HD	Reference	↓ mm	↔ mm	↔ mm	↔ mm	kg/ piece	📦	Stock	Unit
-	I6WSU100	60	128		-	0.208	24	X	piece
-	I6WSU150	66	178		-	0.291	24	X	piece
-	I6WSU200	73	228		-	0.378	24	X	piece
-	I6WSU250	79	278		-	0.469	12	X	piece
-	I6WSU300	85	328		-	0.563	12	X	piece
-	I6WSU400	98	428		-	0.763	12	X	piece
-	I6WSU500	110	528		-	0.978	6	X	piece
-	I6WSU600	122	628		-	1.209	6	X	piece

Max. load (in daN): uniformly distributed over complete width of cantilever brackets.

Pickled and passivated.

I6HSLES

Single ceiling profile



For fixing of brackets on one side.

Profile: I6MP41.21

Welded head plate: 120 x 120 mm

Standard finish Stainless Steel 316

HD	Reference	↓ mm	↔ mm	↔ mm	↔ mm	kg/ piece	📦	Stock	Unit
-	I6HSLES200	-			200	0.650	1	X	piece
-	I6HSLES300	-			300	0.770	1	X	piece
-	I6HSLES400	-			400	0.890	1	X	piece
-	I6HSLES500	-			500	1.010	1	X	piece
-	I6HSLES600	-			600	1.130	1	X	piece
-	I6HSLES800	-			800	1.370	1	X	piece
-	I6HSLES1000	-			1000	1.610	1	X	piece
-	I6HSLES1200	-			1200	1.850	1	X	piece

Use sliding nut I6PNP10 and hexagonal bolt I6B10.20.

Pickled and passivated.

I6HSMU50

Ceiling profile medium heavy



Standard finish

Stainless Steel 316

HD	Reference	↕ mm	↔ mm	↔ mm	↔ mm	kg/ piece	📦	Stock	Unit
-	I6HSMU50.200	-			200	0.936	20		piece
-	I6HSMU50.300	-			300	1.133	1		piece
-	I6HSMU50.400	-			400	1.330	1		piece

Pickled and passivated.

I6TIM

Threaded rod (DIN 975)



Standard finish

Stainless Steel 316

HD	Reference	↕ mm	↔ mm	↔ mm	↔ mm	kg/m	📦	Stock	Unit
-	I6TIM6	-		M6	2000	0.175	200	X	m
-	I6TIM8	-		M8	2000	0.319	200	X	m
-	I6TIM10	-		M10	2000	0.500	200	X	m

I6VM

Toothed round head bolt / flange nut



Standard finish

Stainless Steel 316

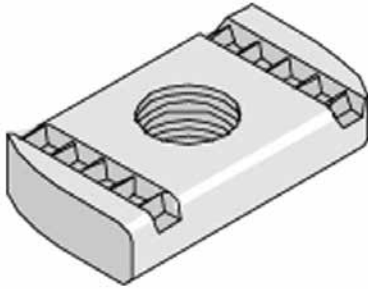
HD	Reference	↕ mm	↔ mm	↔ mm	↔ mm	kg/ piece	📦	Stock	Unit
-	I6VM6.10	-		M6	10	0.008	100	X	piece
-	I6VM6.20	-		M6	20	0.009	100	X	piece

To order per full packaging.

I6PNP

Sliding nut for supporting profile

Atkore
Unistrut



Standard finish

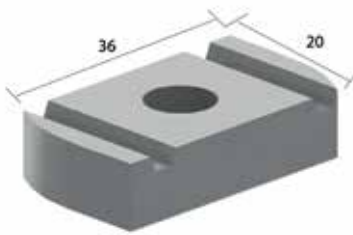
Stainless Steel 316

HD	Reference	↓ mm	↔ mm	↔ ← mm	↔ mm	kg/ piece	📦	Stock	Unit
-	I6PNP06	-		M6	-	0.028	100	X	piece
-	I6PNP08	-		M8	-	0.034	100	X	piece
-	I6PNP10	-		M10	-	0.038	100	X	piece
-	I6PNP12A	-		M12	-	0.038	100	X	piece

To order per full packaging.

I6GM

Sliding nut for supporting profile



Standard finish

Stainless Steel 316

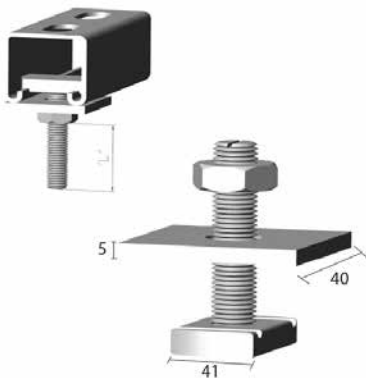
HD	Reference	↓ mm	↔ mm	↔ ← mm	↔ mm	kg/ piece	📦	Stock	Unit
-	I6GM6	-		M6	-	0.010	50		piece

To order per full packaging.

I6SN

Sliding nut for supporting profile

Atkore
Unistrut



Standard finish

Stainless Steel 316

HD	Reference	↓ mm	↔ mm	↔ ← mm	↔ mm	kg/ piece	📦	Stock	Unit
-	I6M8X40SN	-	35		-	0.234	100		piece
-	I6M10X40SN	-	35		-	0.339	100		piece
-	I6M12X40SN	-	35		-	0.117	100		piece

To order per full packaging.

I6RBK

Round head square neck bolt (DIN 603)



Standard finish

Stainless Steel 316

HD	Reference	↕ mm	↔ mm	→ ← mm	↔ mm	kg/ piece	📦	Stock	Unit
-	I6RBK12.20	-		M12	20	0.052	100		piece

To order per full packaging.

I6RB

Toothed round head bolt



Standard finish

Stainless Steel 316

HD	Reference	↕ mm	↔ mm	→ ← mm	↔ mm	kg/ piece	📦	Stock	Unit
-	I6RB6.10	-		M6	10	0.004	100		piece
-	I6RB6.20	-		M6	20	0.006	100		piece

To order per full packaging.

I6RM

Flange nut (DIN 6923)



Standard finish

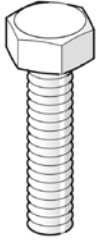
Stainless Steel 316

HD	Reference	↕ mm	↔ mm	→ ← mm	↔ mm	kg/ piece	📦	Stock	Unit
-	I6RM6	-		M6	-	0.003	100		piece

To order per full packaging.

I6B

Bolt (DIN 933)



Standard finish

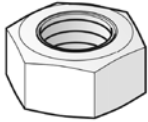
Stainless Steel 316

HD	Reference	↓ mm	↔ mm	↗↖ mm	↔ mm	kg/ piece	📦	Stock	Unit
-	I6B6.20	-		M6	20	0.006	100	X	piece
-	I6B6.30	-		M6	30	0.008	100	X	piece
-	I6B8.20	-		M8	20	0.012	100	X	piece
-	I6B8.30	-		M8	30	0.016	100	X	piece
-	I6B10.20	-		M10	20	0.021	100	X	piece
-	I6B10.30	-		M10	30	0.027	100	X	piece
-	I6B12.20	-		M12	20	0.034	100		piece

To order per full packaging.

I6M

Nut (DIN 934)



Standard finish

Stainless Steel 316

HD	Reference	↓ mm	↔ mm	↗↖ mm	↔ mm	kg/ piece	📦	Stock	Unit
-	I6M6	-		M6	-	0.003	100	X	piece
-	I6M8	-		M8	-	0.005	100	X	piece
-	I6M10	-		M10	-	0.010	100	X	piece
-	I6M12	-		M12	-	0.017	100		piece

To order per full packaging.

I6CRO

Flat giant washer (DIN 9021)



Standard finish

Stainless Steel 316

HD	Reference	↓ mm	↔ mm	↗↖ mm	↔ mm	kg/ piece	📦	Stock	Unit
-	I6CRO6	-		M6	-	0.003	100	X	piece
-	I6CRO8	-		M8	-	0.006	100	X	piece
-	I6CRO10	-		M10	-	0.012	100	X	piece
-	I6CRO12	-		M12	-	0.027	100		piece

To order per full packaging.

I6RO

Giant washer (DIN 125-1 A)



Standard finish

Stainless Steel 316

HD	Reference	↑ mm	↔ mm	→ ← mm	↔ mm	kg/ piece	📦	Stock	Unit
-	I6RO6	-		M6	-	0.001	100	X	piece
-	I6RO8	-		M8	-	0.002	100	X	piece
-	I6RO10	-		M10	-	0.004	100	X	piece
-	I6RO12	-		M12	-	0.006	100		piece

To order per full packaging.

I6PSB

Perforated Steel Band



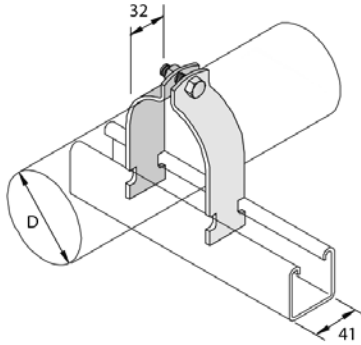
Standard finish

Stainless Steel 316

HD	Reference	↑ mm	↔ mm	→ ← mm	↔ mm	kg/m	📦	Stock	Unit
-	I6135.17.02	-	17	0.80	10000	0.060	100		m

I6M1108-I6M1155

Pipe Clamp

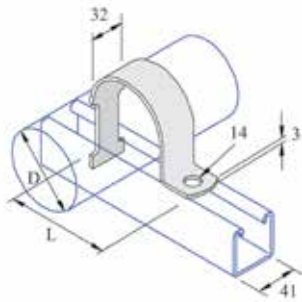


Standard finish

Stainless Steel 316

HD	Reference	↑ mm	↔ mm	↔ mm	↔ mm	kg/ piece	Stock	Unit
-	I6M1108	-	8.7 - 10.3	-	-	0.030	20	piece
-	I6M1109	-	10.3 - 12.7	-	-	0.030	20	piece
-	I6M1110	-	11.9 - 13.5	-	-	0.033	20	piece
-	I6M1111	-	13.5 - 14.3	-	-	0.034	20	piece
-	I6M1112	-	14.3 - 16.7	-	-	0.035	20	piece
-	I6M1113	-	15.9 - 18.3	-	-	0.037	20	piece
-	I6M1114	-	18.3 - 20.6	-	-	0.039	20	piece
-	I6M1115	-	19.0 - 21.4	-	-	0.040	20	piece
-	I6M1116	-	21.4 - 25.4	-	-	0.042	20	piece
-	I6M1117	-	25.4 - 27.8	-	-	0.045	20	piece
-	I6M1118	-	27.0 - 30.2	-	-	0.047	20	piece
-	I6M1119	-	30.2 - 33.8	-	-	0.051	20	piece
-	I6M1120	-	31.8 - 35.9	-	-	0.052	20	piece
-	I6M1121	-	34.9 - 39.7	-	-	0.057	20	piece
-	I6M1122	-	39.7 - 42.9	-	-	0.060	20	piece
-	I6M1123	-	42.9 - 46.8	-	-	0.064	20	piece
-	I6M1124	-	46.8 - 50.8	-	-	0.115	20	piece
-	I6M1125	-	48.4 - 52.4	-	-	0.118	20	piece
-	I6M1126	-	52.4 - 58.7	-	-	0.124	10	piece
-	I6M1127	-	58.7 - 63.5	-	-	0.137	20	piece
-	I6M1128	-	63.5 - 68.3	-	-	0.144	10	piece
-	I6M1129	-	68.3 - 73.0	-	-	0.152	10	piece
-	I6M1130	-	73.0 - 79.4	-	-	0.160	10	piece
-	I6M1131	-	76.2 - 82.6	-	-	0.168	10	piece
-	I6M1132	-	82.6 - 88.1	-	-	0.174	10	piece
-	I6M1133	-	88.1 - 95.2	-	-	0.183	10	piece
-	I6M1134	-	95.2 - 100.0	-	-	0.197	20	piece
-	I6M1135	-	100.0 - 106.4	-	-	0.205	20	piece
-	I6M1136	-	106.4 - 111.1	-	-	0.217	20	piece
-	I6M1137	-	111.1 - 120.7	-	-	0.226	10	piece
-	I6M1138	-	120.7 - 129.4	-	-	0.243	20	piece
-	I6M1139	-	129.4 - 138.1	-	-	0.256	10	piece
-	I6M1140	-	138.1 - 149.2	-	-	0.269	10	piece
-	I6M1141	-	149.2 - 161.9	-	-	0.293	10	piece
-	I6M1142	-	161.9 - 174.6	-	-	0.315	20	piece
-	I6M1143	-	174.6 - 182.6	-	-	0.328	20	piece
-	I6M1144	-	182.6 - 190.5	-	-	0.341	20	piece
-	I6M1145	-	190.5 - 203.2	-	-	0.357	20	piece
-	I6M1146	-	203.2 - 212.7	-	-	0.375	20	piece
-	I6M1147	-	212.7 - 225.4	-	-	0.395	20	piece
-	I6M1148	-	225.4 - 238.1	-	-	0.420	20	piece
-	I6M1149	-	238.1 - 250.8	-	-	0.436	20	piece
-	I6M1150	-	250.8 - 263.5	-	-	0.458	20	piece
-	I6M1151	-	263.5 - 276.2	-	-	0.479	20	piece
-	I6M1152	-	275.2 - 288.9	-	-	0.499	20	piece
-	I6M1153	-	288.9 - 301.6	-	-	0.524	20	piece
-	I6M1154	-	301.6 - 314.3	-	-	0.540	10	piece
-	I6M1155	-	314.3 - 327.0	-	-	0.559	10	piece

To order per full packaging.

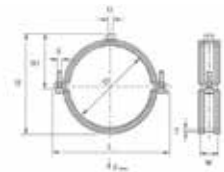
SS2**SS2 Pipe Clamp**Atkore™
Unistrut

Standard finish

Stainless Steel 316

HD	Reference	↕ mm	↔ mm	→ ← mm	↔ mm	kg/ piece	📦	Stock	Unit
-	I6SS2/C	-	32		81	0.084	20		piece
-	I6SS2/E	-	32		96	0.113	10		piece
-	I6SS2/F	-	32		96	0.137	10		piece

To order per full packaging.

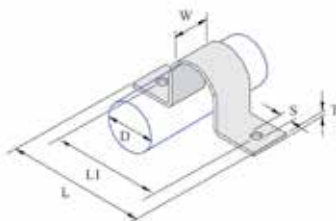
STANDARD-R-SS**Std 2SC Clip Ins 59mm**Atkore™
Unistrut

Standard finish

Stainless Steel 316

HD	Reference	↕ mm	↔ mm	→ ← mm	↔ mm	kg/ piece	📦	Stock	Unit
-	I6135.02.82	46	20		-	0.049	100		piece
-	I6135.06.02	79	20		-	0.097	50		piece

To order per full packaging.

I4PS**Pipe Saddle 300mm**Atkore™
Unistrut

Standard finish

Stainless Steel 304

HD	Reference	↕ mm	↔ mm	→ ← mm	↔ mm	kg/ piece	📦	Stock	Unit
-	I4PS0154	-	40	3.00	108	0.120	1		piece
-	I4PS0204	-	40	3.00	113	0.130	1		piece
-	I4PS0254	-	40	3.00	120	0.150	1		piece
-	I4PS0324	-	40	3.00	128	0.160	1		piece
-	I4PS0404	-	40	3.00	134	0.170	1		piece
-	I4PS0504	-	40	4.00	148	0.260	1		piece
-	I4PS0654	-	40	4.00	164	0.300	1		piece
-	I4PS0804	-	40	4.00	177	0.350	1		piece
-	I4PS1004	-	40	4.00	202	0.470	1		piece
-	I4PS1254	-	40	6.00	231	0.690	1		piece
-	I4PS1504	-	40	6.00	260	0.800	1		piece
-	I4PS2004	-	40	6.00	301	1.300	1		piece
-	I4PS2504	-	50	6.00	385	1.900	1		piece
-	I4PS3004	-	50	6.00	435	2.200	1		piece

I4SDBGD

Trapeze hanger



Standard finish

Stainless Steel 304

HD	Reference	↓ mm	↔ mm	↔ mm	↔ mm	kg/ piece	📦	Stock	Unit
-	I4SDBGD11	-	25	2.50	96	0.115	50		piece

I4RO12MP41

Giant washer (DIN 125-1 A)



Standard finish

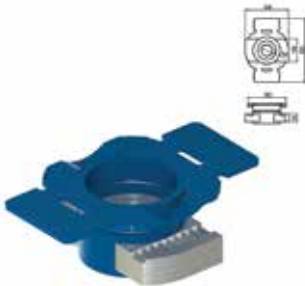
Stainless Steel 304

HD	Reference	↓ mm	↔ mm	↔ mm	↔ mm	kg/ piece	📦	Stock	Unit
-	I4RO12MP41	-	35	3.00	48	0.050	25		piece

To order per full packaging.

I4PNK

Ecrou coulissant avec support PVC



Standard finish

Stainless Steel 304

To order per full packaging.

HD	Reference	L mm	A mm	g mm	↔	kg/ piece	📦	Stock	Unit
-	I4PNK08	50	34	6.00		0.020	30		piece
-	I4PNK10	50	34	6.00		0.020	30		piece
-	I4PNK12	50	34	8.00		0.030	30		piece

I4SDBGM

Trapeze hanger



Standard finish

Stainless Steel 304

To order per full packaging.

HD	Reference	L mm	A mm	g mm	↔	kg/ piece	D mm	Max. load kN	M1	h mm	Con. type	⊞	Stock	Unit
-	I4SDBGM8	100	40	3.00		0.100	0	-	-	-	-	50		piece
-	I4SDBGM10	100	40	3.00		0.110	0	-	-	-	-	50		piece

I4BPLM

Base plate for threaded rod



Standard finish

Stainless Steel 304

To order per full packaging.

HD	Reference	L mm	A mm	g mm	↔	kg/ piece	D mm	Max. load kN	M1	h mm	Con. type	⊞	Stock	Unit
-	I4BPLM8	100	40	3.00		0.090	0	-	-	-	-	10		piece
-	I4BPLM10	100	40	3.00		0.100	0	-	-	-	-	10		piece
-	I4BPLM12	100	40	3.00		0.110	0	-	-	-	-	1		piece
-	I4BPFM20	127	45	4.00		0.230	0	-	-	-	-	1		piece

I6BUKDU.R

Pipe clamp DUO

With EPDM insert.



To order per full packaging.

With anti-loss hexagon bolts (groove and cross).

Temperature range: -40/+120°C.

Sound insulation according to DIN 4109.

I4VS41

Assembly accessory

Standard finish

Stainless Steel 304



I4VS41.54

HD	Reference	↓ mm	↔ mm	↔ mm	↔ mm	kg/ piece	📦	Stock	Unit
-	I4VS41.54	-	60	8.00	-	1.190	5		piece
-	I4VS41.55	-	60	8.00	-	1.190	5		piece



I4VS41.55

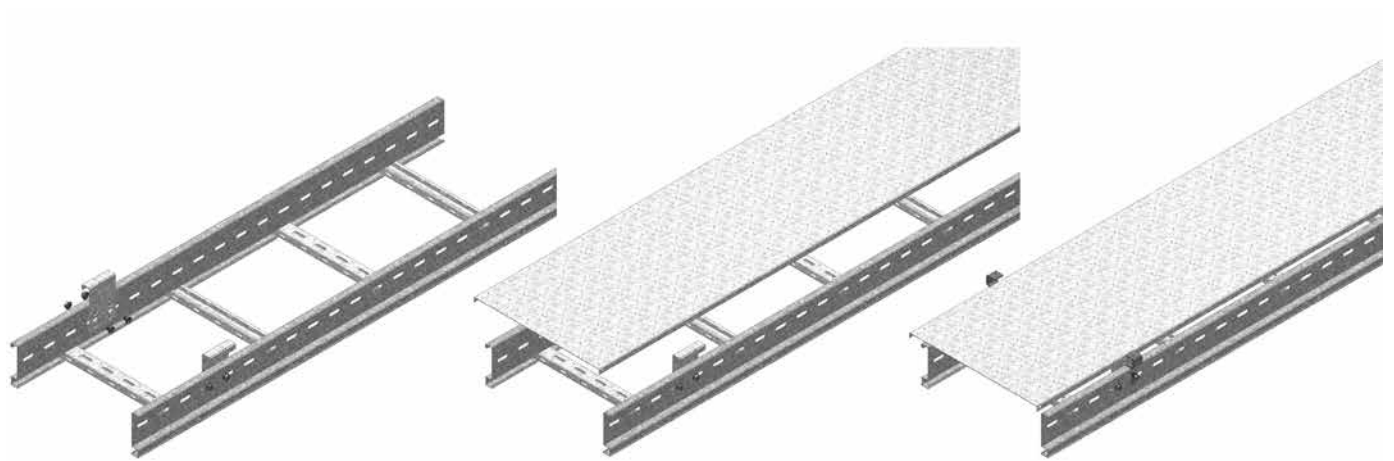
I6KLLDK

Technical information



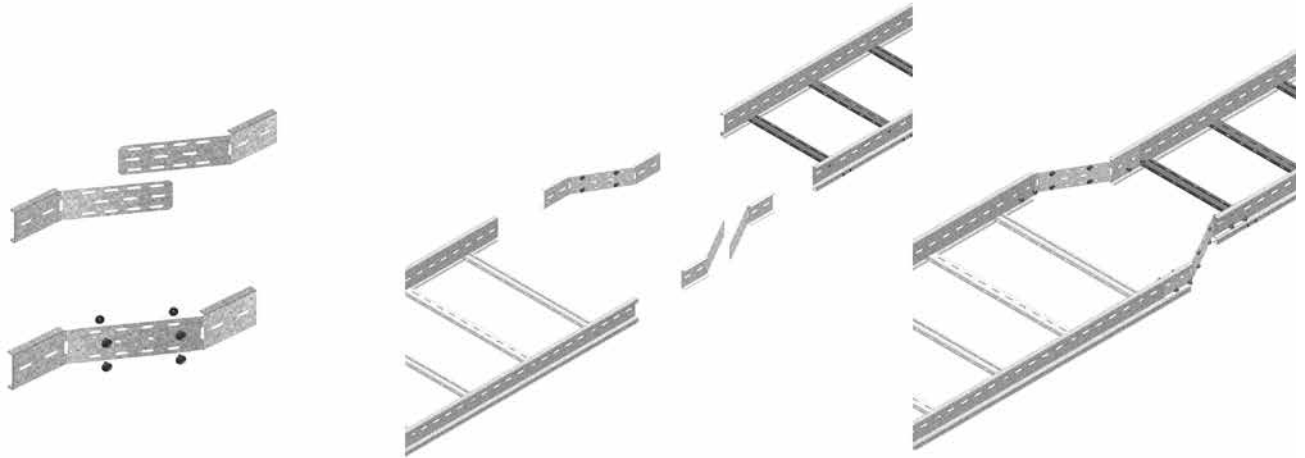
I6KLLABD

Technical information



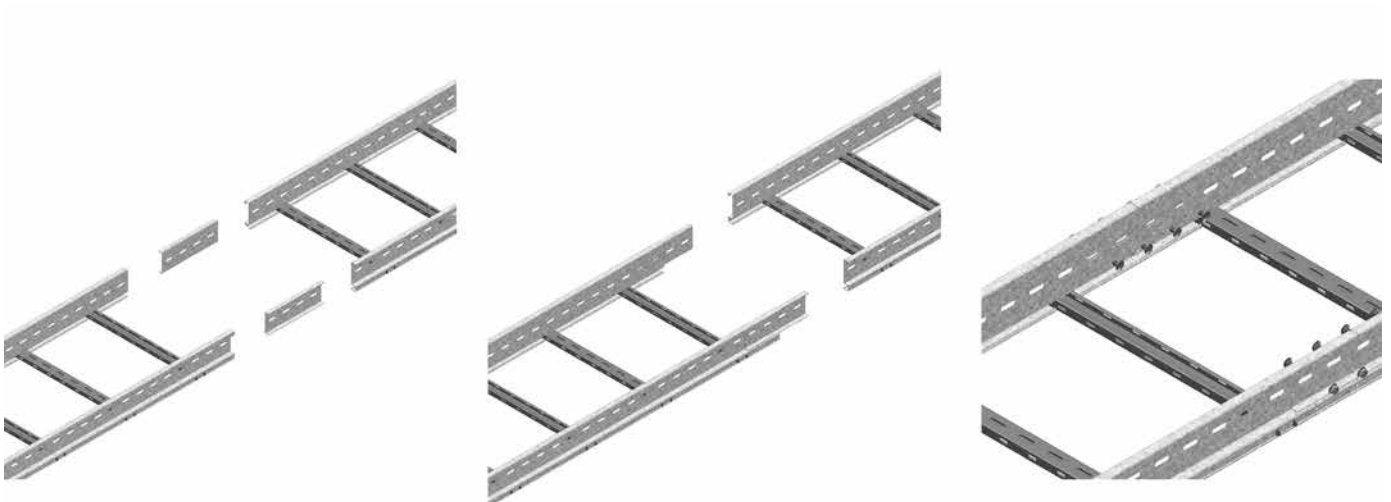
I6KLLVS

Technical information



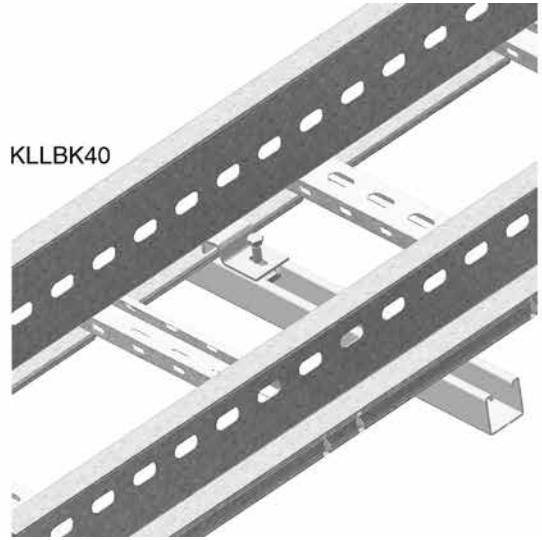
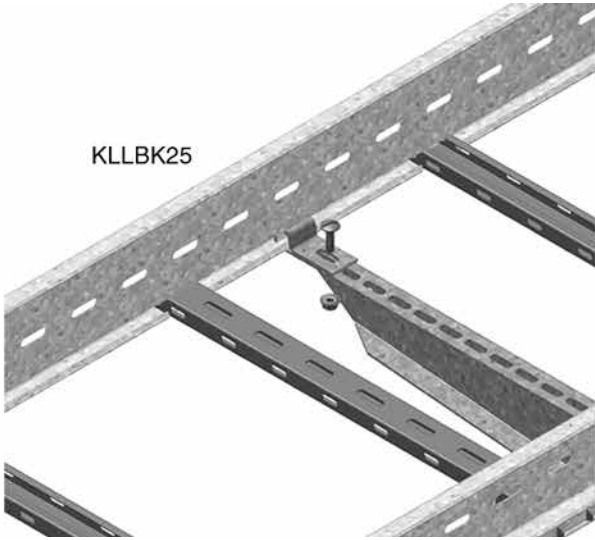
I6KLLKP

Technical information



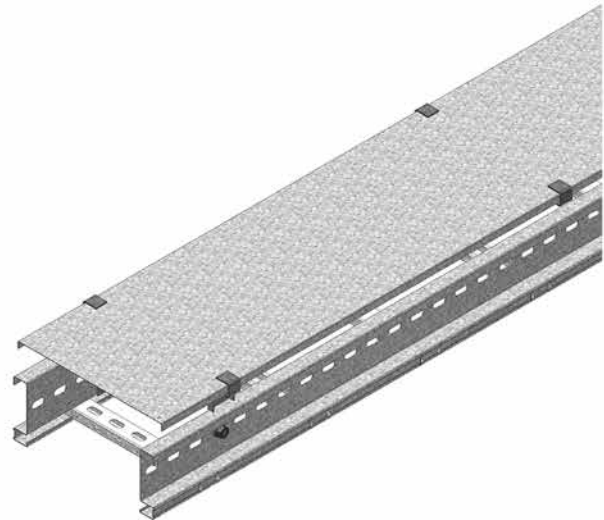
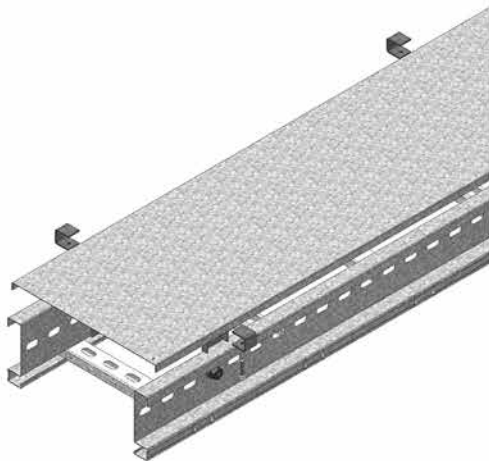
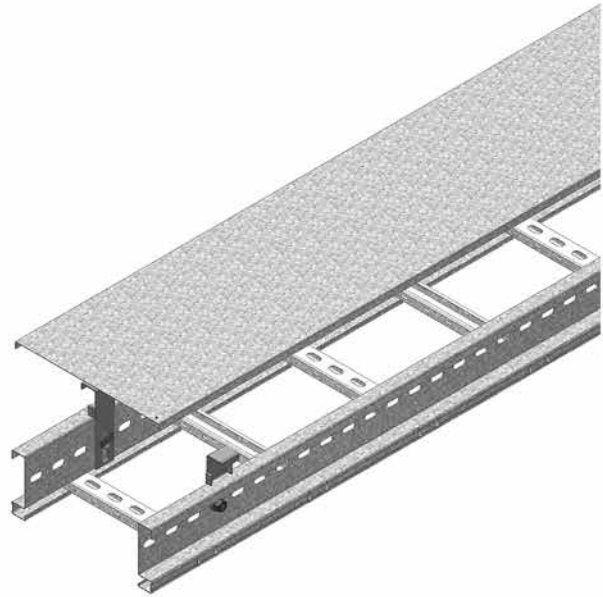
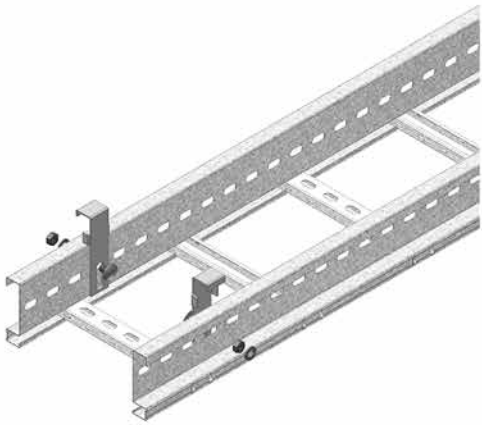
I6KLLBK

Technical information



I6KLMZWABD

Technical information



I6KSF

Technical information

